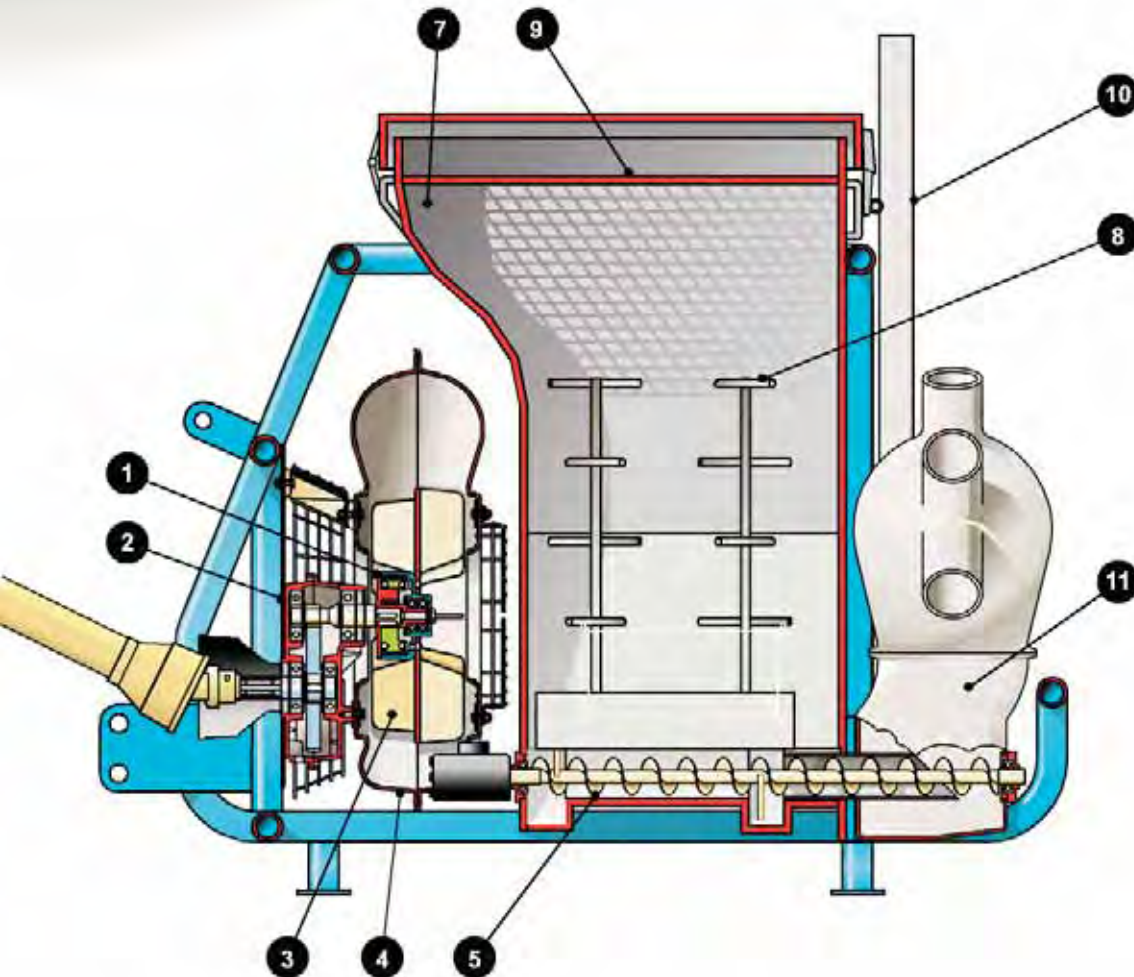


# AirDust DTSS-400

PROVISIONAL LEAFLET



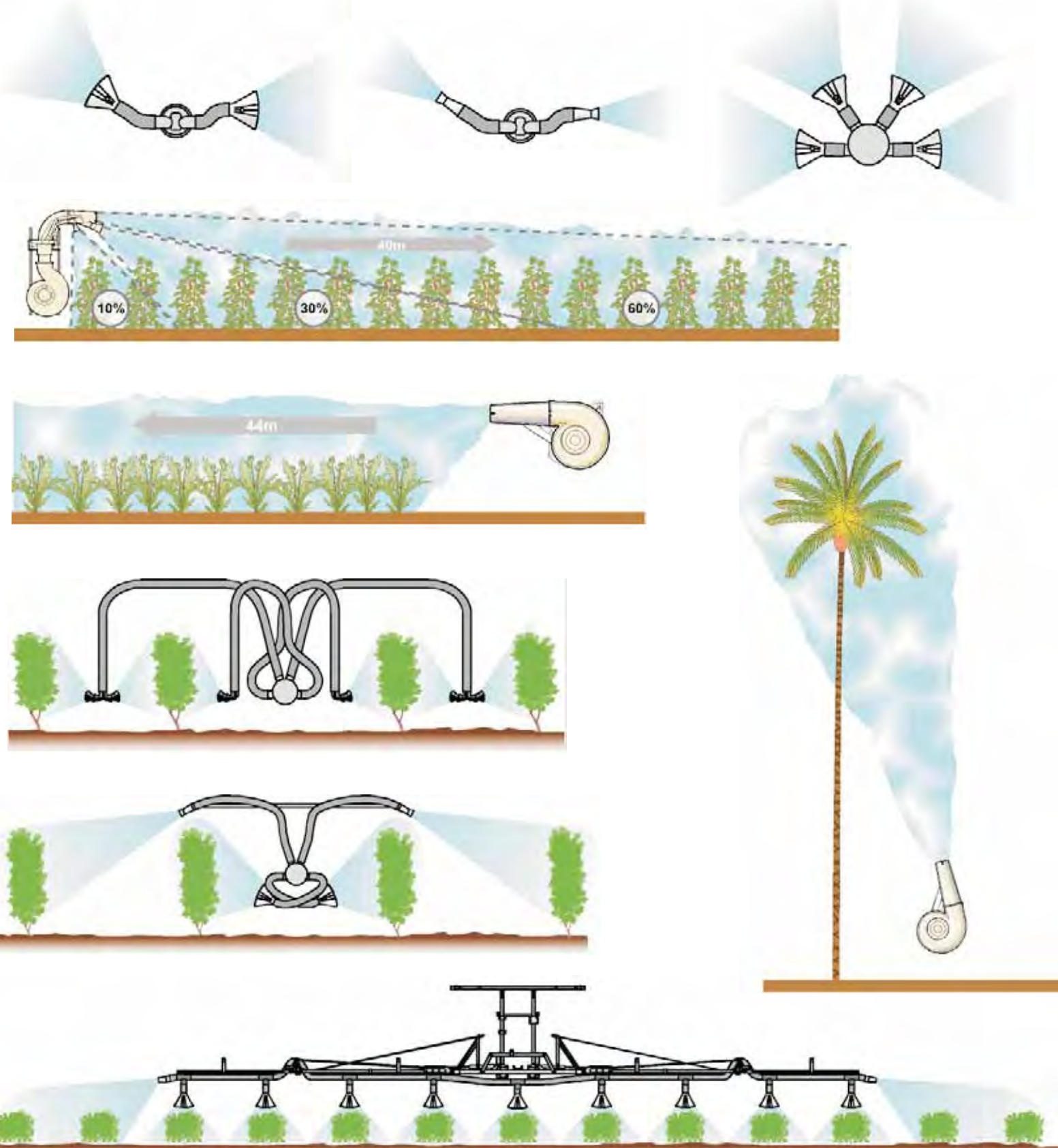
- 1 Centrifugal clutch, progressive and smooth starting.
- 2 Gearbox R: 1/7.5
- 3 2 fans, 2 air inlets.
- 4 Aerodynamic blower housing
- 5 Forced feeding adjustable by means of worm gear driven by hydraulic system.
- 6 Hydraulic control from the tractor, balancing from 12 to 45 kg/ha.
- 7 400 litre special tank with folding cover.
- 8 Anti-compactness mixer system, highest guarantee.
- 9 Anti-lumps sieve.
- 10 Sturdy frame universal coupling for several application kits.
- 11 Universal inlet for 1, 2, 6 and 8-outlet distributors.



**Accurate dosage from 12 to 45 kg**

**Smooth dust output, without fluctuations, from the beginning (full tank) to the end (total emptying of the tank)**

# TEYME, first world manufacturer and specialist in dusting machines



## Applications:

Conventional and ecological treatments with powdered products.

**Advantages with regard to hydro-pneumatic spraying treatment:** More penetration. Application time reduced to 1/3. Application speed from 6 to 8 km/h and more. Spot and general treatments. From 12 to 45 kg/ha.



### FACTORY AND SHOWROOM

Pol. Ind. SAU - 3 - C/Girona

25131 - TORRE-SERONA (Lleida)

Phones: (+34) 973 750 033 - (+34) 973 750 539

Fax: (+34) 973 751 581

web: [www.teyme.es](http://www.teyme.es)

e-mail: [comercial@multeyme.com](mailto:comercial@multeyme.com)

DEALER