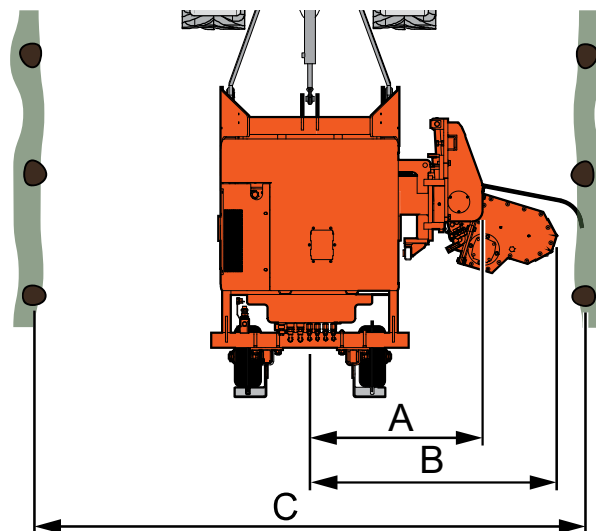


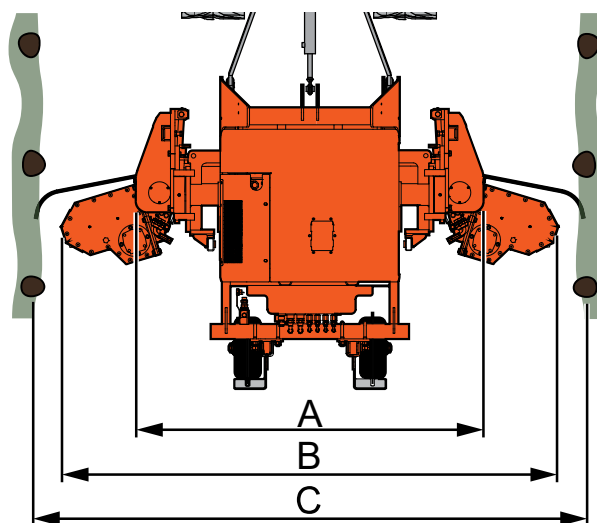
# turbo EVO



CODE	DESCRIPTION	A cm min	A cm MAX	B cm min	B cm MAX	C cm min	C cm MAX
6TESN12E	Rear Single TURBO EVO Narrow bar 120	82	142	112	172	170	340
6TESW17E	Rear Single TURBO EVO Wide bar 170	120	215	150	245	250	450
6TESW20E	Rear Single TURBO EVO Wide bar 200	130	250	160	280	300	600
6TESN12AE	Front Single TURBO EVO Narrow bar 120	72	132	112	172	170	340
6TESW17AE	Front Single TURBO EVO Wide bar 170	120	215	150	245	250	450
6TESW20AE	Front Single TURBO EVO Wide bar 200	130	250	160	280	300	600

NB: the total dimensions refer to the machine with a standard 50cm blade, 2 discs group or power harrow ERP

# Twin turbo EVO



CODE	DESCRIPTION	A cm min	A cm MAX	B cm min	B cm MAX	C cm min	C cm MAX
6TETN06E	Rear TWIN TURBO EVO Narrow 60	120	180	180	240	160	220
6TETN10E	Rear TWIN TURBO EVO Narrow 100	155	240	215	300	200	300
6TETW12E	Rear TWIN TURBO EVO Wide 120	180	300	240	360	250	360
6TETN06AE	Front TWIN TURBO EVO Narrow 60	120	180	180	240	160	220
6TETN10AE	Front TWIN TURBO EVO Narrow 100	155	240	215	300	200	300
6TETW12AE	Front TWIN TURBO EVO Wide 120	180	300	240	360	250	360

NB: the total dimensions refer to the machine with a standard 50cm blade, 2 discs group or power harrow ERP