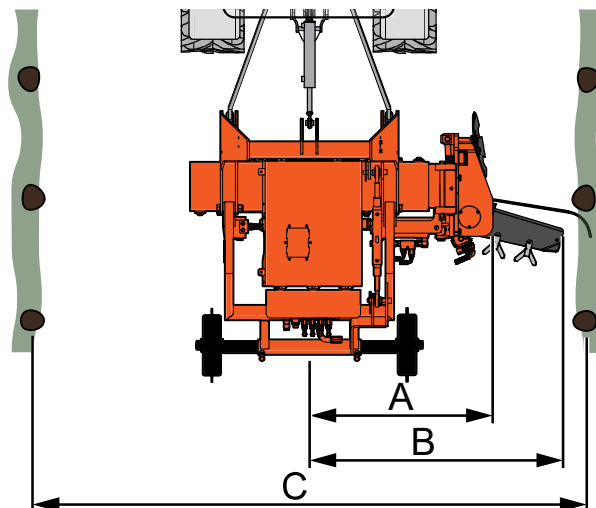


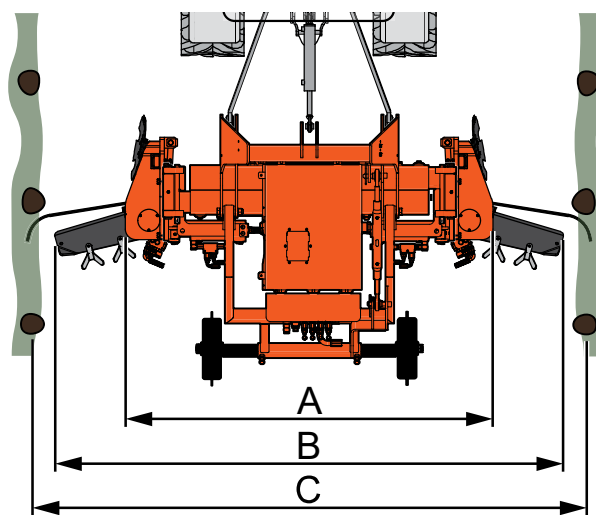
turbo



CODE	DESCRIPTION	A cm min	A cm MAX	B cm min	B cm MAX	C cm min	C cm MAX
6TLSN11E	Rear Single TURBO Narrow bar 110	72	132	102	162	160	330
6TLSW17E	Rear Single TURBO Wide bar 170	120	215	150	245	250	450
6TLSW20E	Rear Single TURBO Wide bar 200	130	250	160	280	300	600
6TLSN11AE	Front Single TURBO Narrow bar 110	72	132	102	162	160	330
6TLSW17AE	Front Single TURBO Wide bar 170	120	215	150	245	250	450
6TLSW20AE	Front Single TURBO Wide bar 200	130	250	160	280	300	600

NB: the total dimensions refer to the machine with a standard 50cm blade

Twin turbo



CODE	DESCRIPTION	A cm min	A cm MAX	B cm min	B cm MAX	C cm min	C cm MAX
6TLTN07E	Rear TWIN TURBO Narrow 70	114	175	174	235	150	210
6TLTN09E	Rear TWIN TURBO Narrow 90	145	229	205	289	180	280
6TLTW11E	Rear TWIN TURBO Wide 115	170	290	230	350	240	350
6TLTN07AE	Front TWIN TURBO Narrow 70	114	175	174	235	150	210
6TLTN09AE	Front TWIN TURBO Narrow 90	145	229	205	289	180	280
6TLTW11AE	Front TWIN TURBO Wide 115	170	290	230	350	240	350

NB: the total dimensions refer to the machine with a standard 50cm blade