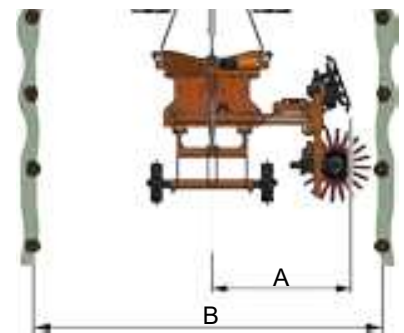
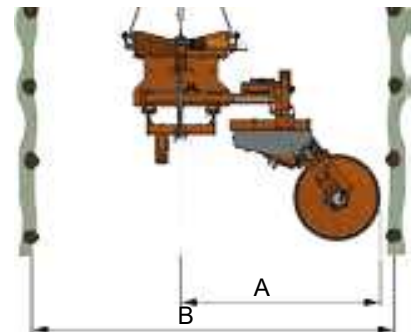




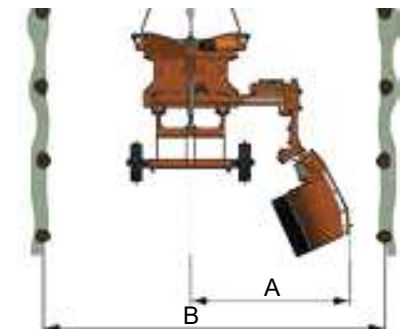
CODE	DESCRIPTION	A cm min	A cm max	B cm min	B cm max
6BDS10N5X	Single sided Bio-Dynamic Narrow rear	70	125	160	300
6BDS10N7X	Single sided Bio-Dynamic Narrow rear	70	125	170	300
6BDS15W7X	Single sided Bio-Dynamic Wide rear	120	200	280	450
6BDS15W9X	Single sided Bio-Dynamic Wide rear	120	200	280	450
6BDS10N5XA	Single sided Bio-Dynamic Narrow front	70	125	160	300
6BDS10N7XA	Single sided Bio-Dynamic Narrow front	70	125	170	300
6BDS15W7XA	Single sided Bio-Dynamic Wide front	120	200	280	450
6BDS15W9XA	Single sided Bio-Dynamic Wide front	120	200	280	450



CODE	DESCRIPTION	A cm min	A cm max	B cm min	B cm max
6BDS10NRSI	RSI Narrow rear version	105	160	180	320
6BDS15WRSI	RSI Wide rear version	145	235	280	450
6BDS10NRSIA	RSI Narrow front version	105	160	180	320
6BDS15WRSIA	RSI Wide front version	145	235	280	450



CODE	DESCRIPTION	A cm min	A cm max	B cm min	B cm max
6BDS10NSRC	SRC Narrow rear version	70	125	170	300
6BDS15WSRC	SRC Wide rear version	120	210	280	450
6BDS10NSRCA	SRC Narrow front version	70	125	170	300
6BDS15WSRCA	SRC Wide front version	120	210	280	450



CODE	DESCRIPTION	A cm min	A cm max	B cm min	B cm max
6BDS10NSRV	SRV Narrow rear version	105	160	160	300
6BDS15WSRV	SRV Wide rear version	145	205	280	450
6BDS10NSRVA	SRV Narrow front version	110	165	180	330
6BDS15WSRVA	SRV Wide front version	130	190	280	450

