

HARDY SAND AND SALT SPREADER



| MODEL | DESCRIPTION | SUGGESTED RETAIL |
|-----------|---------------------------|------------------|
| 1000-2681 | 54" Sand & Salt Spreader* | |
| 1000-3821 | 74" Sand & Salt Spreader* | |
| 1000-3861 | 86" Sand & Salt Spreader* | |

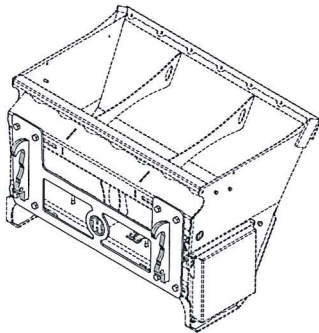
* Without lid and brackets, includes hydraulic motor.

SELECT THE REQUIRED COMPONENTS AND ADD TO BASE PRICE.

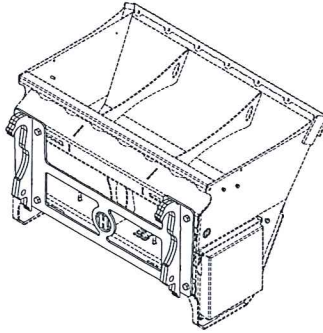
| COMPONENT | DESCRIPTION | SUGGESTED RETAIL |
|-------------------------------------|--|------------------|
| CHOICE OF AVAILABLE BRACKETS | | |
| 1000-3941 | Hardy quick attach for loaders Serie 5 (25 & 35) and XTREMPRO (40 & 50). | |
| 1000-3931 | Hardy standard quick attach (Bigger model than 1000-3941). | |
| 1000-3911 | Euro quick attach. | |
| 1000-3921 | Skid Steer quick attach. | |
| 1000-3891 | Hydraulic tilt 3 point hitch Cat. 1 for 54" spreader*. | |
| 1000-1561 | Hydraulic tilt 3 point hitch Car. 1 & 2 for 74" and 86" spreaders*. | |

* Including 2 cylinders.

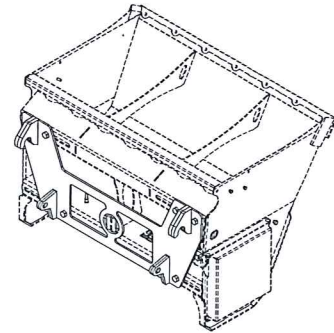
1000-3941



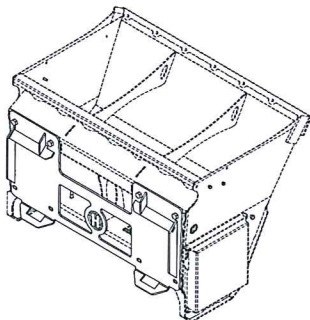
1000-3931



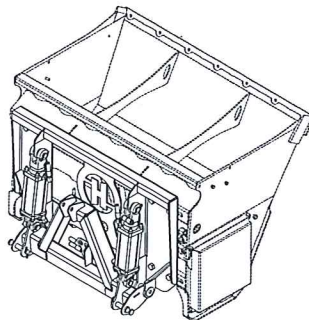
1000-3911



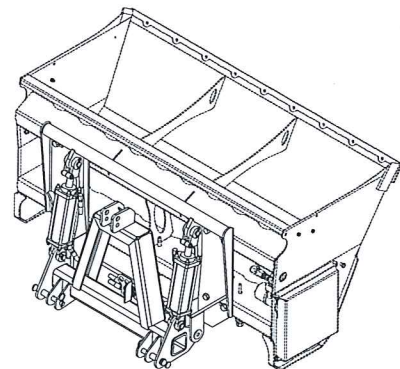
1000-3921



1000-3891



1000-1561





ADD OPTIONS AND ADD TO BASE PRICE.

DESCRIPTION

BOLT ON BLADE

| | 54" Spreader | 74" Spreader | 86" Spreader |
|---------------|--------------|--------------|--------------|
| Bolt on blade | 1000-3071 | 1000-3851 | 1000-3141 |

LID

| | | | |
|-----------|-----------|-----------|-----------|
| Steel lid | 1000-3831 | 1000-3841 | 1000-3151 |
|-----------|-----------|-----------|-----------|

INNOVATION

- ✓ Fewer moving parts. With our new design, only one UHMW dispenser flap is required. This one is reversible.
- ✓ Bearing protection.
- ✓ Regulable dispenser adjustment system.
- ✓ Flared side. Allows an easier filling and a greater load capacity. The flared opening also allows a better protection of the lateral mechanism.
- ✓ Closed gear box. Our hydraulic motor/binder assembly as well as the gear box cover prevents material from entering the mechanism.



Hydraulic tilt 3 point hitch for autonomous loading (including 2 cylinders).



Sand spreading.

SPECIFICATIONS

| MODEL | 54" | 74" | 86" |
|------------------------------|--|--|---|
| Overall width with steel lid | 53 3/4" | 75 1/2" | 87 3/4" |
| Overall width | 52 3/4" | 74" | 86" |
| Spreading width | 47 1/2" | 69" | 80" |
| Height | 35 1/4" | 35 1/4" | 41 1/4" |
| Depth without attach | 33 1/4" | 33 1/4" | 36 1/2" |
| Capacity | cubic yard <i>cubic meter</i> | | |
| | ,50 v ³ 0,39 m ³ | ,70 v ³ 0,54 m ³ | 1,15 v ³ 0,88 m ³ |
| Weight | kg (lbs) | | |
| | 222 kg (488 lbs) | 290 kg (639 lbs) | 355 kg (781 lbs) |

Design and specifications subject to change without notice.