

**SNOWBLOWERS**

**AGRICULTURAL PRODUCTS/DUMP TRAILERS**

PGV-1202TRC



WORKING WIDTH	118 1/4" / 3004 MM
HP RECOMMENDED	225 TO 350 HP PTO
Cutting height	68 1/4" / 1734 mm
Approx. performance	2500 tons imp. / hour (tractor 225 HP)
Weight	5663 lbs / 2569 kg

**[ADD TO COMPARE](#)**

# OPTIONS

---

## CHOICE OF CHUTE



PCTC-IND



PCTC-INDR

Hydraulic telescopic industrial chute, a versatile chute for general use, including deflector cylinder, chute extension cylinders and 2 hose supports, Carbon steel chute and deflector backs, greasable hinges. Kit of two unidirectional restrictors RSP-1/16x10 ORB included.

PCTC-IND

- Mounting kit for working light on telescopic chute.

PKL-IND92104

Hydraulic telescopic industrial chute with rounded deflector designed for truck loading, greasable hinges and access panel, including 2 extension cylinders and hose support and 2 deflector cylinders and hose support. Kit of two unidirectional restrictors RSP-1/16x10 ORB included.

PCTC-INDR

- Mounting kit for working light on telescopic chute.

PKL-INDR

---

# HYDRAULIC MOTOR FOR CHUTE ROTATION

**Hydraulic motor (included)**

MLH-315-R

---

## HOSE KITS



PKB-GR3TRC

**Kit for TRC models, also includes hoses for drum rotation motor. \*  
Installation not included.**

PKB-GR3TRC

**Kit for TRC models with telescopic chute PCT-92104, also includes hoses  
for chute lifting cylinders. \* Installation not included.**

PKB-GR3TRC-T

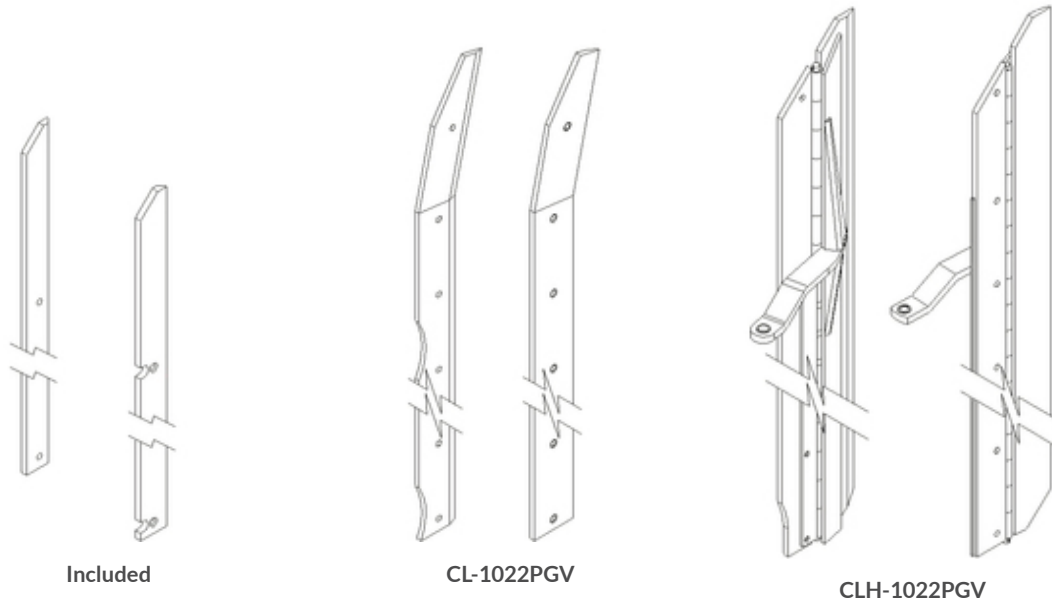
**Kit for TRC models with telescopic chute with round deflector PCTC-INDR,  
also includes hoses for chute lift cylinders and cylinder for round deflector  
adjustment. \* Installation not included.**

PKB-GR3TRC-TR

Hose kit for hydraulic lateral blades option. Includes hydraulic hoses connecting the tractor oil outlets to the lateral blades cylinder. \* Installation not included. PKB-IND-CLH

---

## LATERAL BLADES



Lateral blades, standard steel 1/2" x 5 3/4" x 75 1/2"

Included

Lateral blades, Hardox 450 5/8" x 5 3/4" x 96 1/2"

CL-1022PGV

Hydraulic lateral blades 96 1/2" (cylinder 25TR08 included)

CLH-1022PGV

---

## SKID SHOES

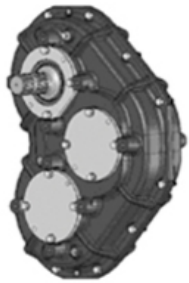


PHCT-PGV

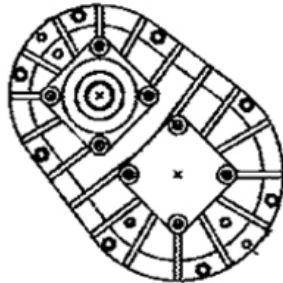
Lateral skid shoe with extra long life sole for sidewalk (right side or left side) PHCT-PGV

---

## SPEED REDUCER



PR3G250-2.5



PR26-250-2.5

Reducer 1000/562 (300 HP at 1000 RPM) 3 gears - 10" c/c (350 HP at 1000 RPM with oil cooler RH250-PGV-1022)

PR3G250-2.5

Speed reducer and inverter (300 HP at 1000 RPM) - 2 gears - 100/562 - shafts 6 3/4" c/c (casing ready for connecting the oil cooler RH250-PGV-1022) (350 HP at 1000 RPM with oil cooler RH250-PGV-1022)

PR26-250-2.5

Speed reducer with 2 input choices 1000/540. Inverter and non-inverter 500 HP.

PRH-60M-3

---

## CHOICE OF POWER TAKE-OFF (PTO)

<b>V90 Multilobe PTO 1 3/8"-21 &amp; 1 3/4"-20 (1000 RPM)</b>	9599
<b>V90 Multilobe PTO 1 3/4"-20 &amp; 1 3/4"-20 (1000 RPM)</b>	9604
<b>V12 Multilobe PTO 1 3/4"-20 X 1 3/4"-20 (1000 RPM)</b>	400-00601

---

## OIL COOLER

<b>Oil cooler (pump and tank) recommended for 300 HP and over.</b>	RH250-PGV-1022
--	----------------

---

## LATERAL PROTECTOR

<b>Lateral protector in Tivar for protection of snow loading equipment.</b>	PL-IND
---	--------

---

## KIT OF 3 OR 4 DIVERTERS WITH JOYSTICK

<b>Kit of 3 electric directionnal control valves to control 4 hydraulic functions (chute deflector, chute rotation, telescopic chute and TRC drum) including universal mounting bracket, hoses and fittings.</b>	KVD-3IND
<b>Kit of 4 electric directionnal control valves to control 5 hydraulic functions (chute deflector, chute rotation, telescopic chute, TRC drum and hydraulic lateral blades) including universal mounting bracket, hoses and fittings.</b>	KVD-4IND
<b>Kit of joystick controller 4 buttons with cables and connector. Installs on a hydraulic lever or tractor. Compatible for KVD-3IND + KVD-4IND.</b>	KVD-IND-M4

---

## ADDITIONAL INFORMATION

---

### HYDRAULIC DRIVEN

It is possible to use this snowblower with hydraulic drive. The hydraulic oil flow at a specific pressure will guide you in to the choice of the snowblower.

Contact your Pronovost dealer to obtain a quote for your specific requirements.



---

### HYDRAULIC WHEELS

Hydraulic wheels permit using the snowblower at a constant height from the ground without scraping it.

Practical to avoid blowing gravel.

Permit snowblowing on a grassy surface while avoiding direct contact of the blade with the ground.

Contact your Pronovost dealer to obtain a quote for your specific requirements.

\*Available only on a new snowblower made in production.



---

## COMPLETE SPECIFICATIONS

---

<b>HP recommended (min. - max.)</b>	225 to 350 HP PTO
<b>Approximate performance</b>	2500 tons imp. / hour (tractor 225 HP)
<b>Working width</b>	118 1/4" / 3004 mm
<b>Cutting height</b>	68 1/4" / 1734 mm
<b>Hitch category</b>	2 or 3 - 38 3/8" / 975 mm
<b>Cutting height of lateral blades</b>	Included : 75 1/2" / 1918 mm Opt. CL : 96 1/2" / 2451 mm Opt. CLH : 96 1/2" / 2451 mm
<b>Height of chute base (TRC model)</b>	54 1/2" / 1384 mm



<b>Height with telescopic chute (TRC model)</b>	PCTC-IND : 131" / 3327 mm closed, 162 1/2" / 4128 mm extended PCTC-INDR : 129" / 3277 mm closed, 161" / 4089 mm extended
<b>Impeller diameter</b>	37" / 940 mm
<b>Depth of drum</b>	15" / 381 mm
<b>Drum position</b>	Offset of 5" right
<b>Impeller housing contour : Hardox 450</b>	Included 3/8"
<b>Number of impeller blades</b>	6 - 3/8" thickness, replaceable, Hardox 450
<b>Impeller shaft diameter</b>	2 1/2" / 64 mm
<b>Height of impeller center</b>	24" / 610 mm
<b>Rotor RPM</b>	540 inverted
<b>Required RPM for the tractor PTO</b>	1000 RPM
<b>Number of augers</b>	2
<b>Main auger diameter</b>	34" / 864 mm - removable hub, dual band, bolted, welded carbon steel teeth
<b>Upper auger diameter</b>	20" / 508 mm - removable hub, single band, Hardox 450 welded teeth
<b>Bearing / ductile iron housing</b>	2 1/2" / 64 mm
<b>Drive chain - Main auger</b>	Renold No. 100HV in oil bath
<b>Frame - Sides</b>	Plate 5/16"
<b>Frame - Back</b>	Plate 9 Gauge and 3/16"
<b>Number of shear bolts</b>	1 for impeller + 1 for auger
<b>Drum rotation for hydraulic motor (TRC only)</b>	Std.
<b>Drum rotation with rotation system</b>	On antifriction with hydraulic motor, cushion valve included
<b>Reducer and inverter 1000/562 RPM - 250 HP at 1000 RPM - 2 gears - shafts 6 3/4"</b>	Included

<b>Height of speed reducer shaft</b>	Adjustable from 29 7/8" to 18"
<b>Drive shaft included (optional)</b>	V90 multilobe, choice of yoke depending on tractor
<b>Oil cooler</b>	Opt. (increases capacity to more than 300 HP)
<b>Lateral blades - High quality steel</b>	Included : 1/2" x 5 3/4"
<b>Lateral blades - Hardox 450</b>	Opt. CL : 5/8" x 5 3/4"
<b>Lateral blades - Hydraulic blades</b>	Opt. CLH : 5/8" x 7 1/2" Hardox 450 sharpened (cylinder 25TR08 included)
<b>Scraper blade - Industrial made of Hardox 450</b>	Included 5/8" x 6" not reversible, sharpened, assembled to 6 degrees
<b>Adjustable skid shoes - Rocktec</b>	Included 4 skid shoes, adjustment with spacers
<b>Rocktec lateral skid shoe for sidewalks</b>	Opt. (left or right side)
<b>Chute - Telescopic including extension cylinders</b>	Opt.
<b>Chute - Telescopic with rounded deflector including extension and deflector cylinders</b>	Opt.
<b>Chute rotation system - Hydraulic motor kit (motor not included)</b>	Included with MLH-315 and cushion valve
<b>Chute rotation maximum angle - Hydraulic motor rotation</b>	305°
<b>Antifriction for chute</b>	Included : ring
<b>Deflector - Hydraulic cylinder</b>	Included with chute
<b>Color</b>	Included : Industrial yellow
<b>Storage support</b>	Included
<b>Center of gravity from 3 point hitch at its shortest</b>	40 9/16" / 1030 mm
<b>Rotational force (reference)</b>	229 701 lbs-po
<b>Weight</b>	5663 lbs / 2569 kg
<b>Weight including chute (TRC model)</b>	5663 lbs / 2569 kg including chute PCTC-IND and reducer

## CONTACT US

260, Haut-du-Lac-Sud (route 159)

Saint-Tite QC G0X 3H0

### Directions

T 418 365 7551

F 418 365 7954

[info@pronovost.qc.ca](mailto:info@pronovost.qc.ca)

Follow us on:

## PHOTOS AND VIDEOS

## BROCHURES

## TESTIMONIALS

Farm Equipment Manufacturers Association Member

[Top](#)

2023 - Pronovost Inc © All rights reserved