

SNOWBLOWERS

AGRICULTURAL PRODUCTS/DUMP TRAILERS

PGV-1021TRC



WORKING WIDTH	102" / 2591 MM
HP RECOMMENDED	120 TO 200 HP PTO
Cutting height	53" / 1346 mm
Approx. performance	1600 tons imp. / hour (tractor 150 HP)
Weight	4450 lbs / 2019 kg

[ADD TO COMPARE](#)

OPTIONS

CHOICE OF CHUTE



PCTC-IND



PCTC-INDR

Hydraulic telescopic industrial chute, a versatile chute for general use, including deflector cylinder, chute extension cylinders and 2 hose supports, Carbon steel chute and deflector backs, greasable hinges. Kit of two unidirectional restrictors RSP-1/16x10 ORB included.

PCTC-IND

- Mounting kit for working light on telescopic chute.

PKL-IND92104

Hydraulic telescopic industrial chute with rounded deflector designed for truck loading, greasable hinges and access panel, including 2 extension cylinders and hose support and 2 deflector cylinders and hose support. Kit of two unidirectional restrictors RSP-1/16x10 ORB included.

PCTC-INDR

- Mounting kit for working light on telescopic chute.

PKL-INDR

HYDRAULIC MOTOR FOR CHUTE ROTATION

Hydraulic motor (included)

MLH-315-R

HOSE KITS



PKB-GR3TRC

**Kit for TRC models, also includes hoses for drum rotation motor. *
Installation not included.**

PKB-GR3TRC

**Kit for TRC models with telescopic chute PCT-92104, also includes hoses
for chute lifting cylinders. * Installation not included.**

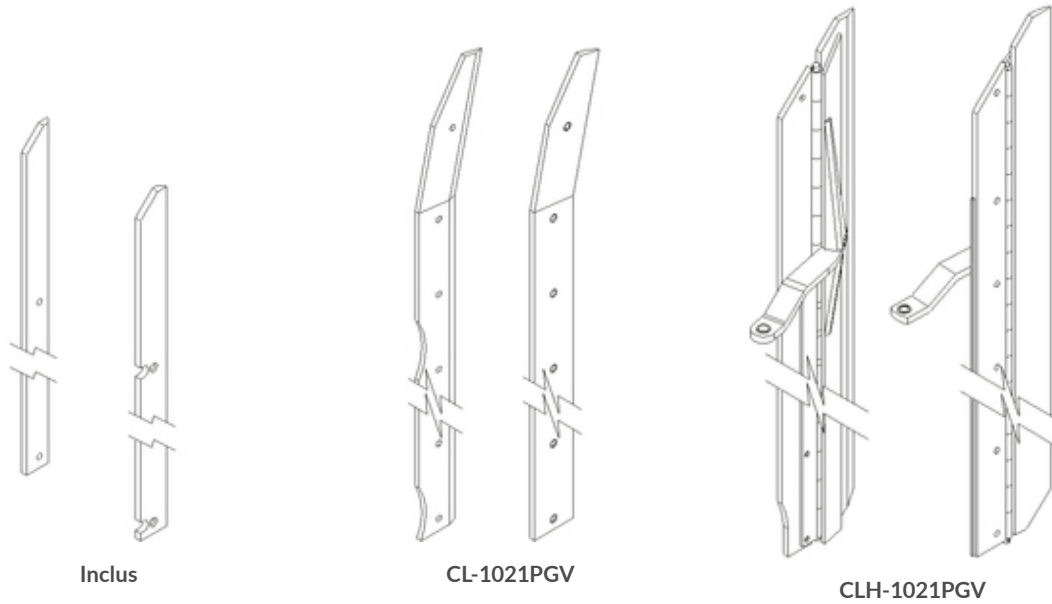
PKB-GR3TRC-T

**Kit for TRC models with telescopic chute with round deflector PCTC-INDR,
also includes hoses for chute lift cylinders and cylinder for round deflector
adjustment. * Installation not included.**

PKB-GR3TRC-TR

Hose kit for hydraulic lateral blades option. Includes hydraulic hoses connecting the tractor oil outlets to the lateral blades cylinder. * Installation not included. PKB-IND-CLH

LATERAL BLADES



Lateral blades, standard steel 1/2" x 5 3/4" x 59"

Inclus

Lateral blades, Hardox 450 5/8" x 5 3/4" x 78"

CL-1021PGV

Hydraulic lateral blades 78" (cylinder TR08 included)

CLH-1021PGV

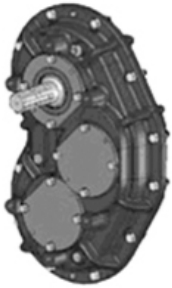
SKID SHOES



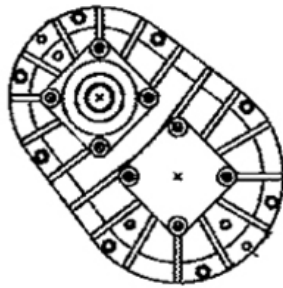
PHCT-PGV

Lateral skid shoe with extra long life sole for sidewalk (right side or left side) PHCT-PGV

SPEED REDUCER



PR3G200-2



PR26-250-2

Reducer 1000/555 (200 HP at 1000 RPM) 3 gears - 8" c/c

PR3G200-2

Speed reducer and inverter (300 HP at 1000 RPM) - 2 gears - 100/562 - shafts 6 3/4" c/c (casing ready for connecting the oil cooler RH250-PGV-1022) (350 HP at 1000 RPM with oil cooler RH250-PGV-1022)

PR26-250-2

CHOICE OF POWER TAKE-OFF (PTO)

V90 Multilobe PTO 1 3/8"-21 & 1 3/4"-20 (1000 RPM)	9599
V90 Multilobe PTO 1 3/4"-20 & 1 3/4"-20 (1000 RPM)	9604
V12 Multilobe PTO 1 3/4"-20 X 1 3/4"-20 (1000 RPM)	400-00601

LATERAL PROTECTOR

Lateral protector in Tivar for protection of snow loading equipment.	PL-IND
--	--------

KIT OF 3 OR 4 DIVERTERS WITH JOYSTICK

Kit of 3 electric directionnal control valves to control 4 hydraulic functions (chute deflector, chute rotation, telescopic chute and TRC drum) including universal mounting bracket, hoses and fittings.	KVD-3IND
Kit of 4 electric directionnal control valves to control 5 hydraulic functions (chute deflector, chute rotation, telescopic chute, TRC drum and hydraulic lateral blades) including universal mounting bracket, hoses and fittings.	KVD-4IND
Kit of joystick controller 4 buttons with cables and connector. Installs on a hydraulic lever or tractor. Compatible for KVD-3IND + KVD-4IND.	KVD-IND-M4
Wiring harness and connector 20.	KVD-IND-H20

ADDITIONAL INFORMATION

HYDRAULIC DRIVEN

It is possible to use this snowblower with hydraulic drive. The hydraulic oil flow at a specific pressure will guide you in to the choice of the snowblower.

Contact your Pronovost dealer to obtain a quote for your specific requirements.



HYDRAULIC WHEELS

Hydraulic wheels permit using the snowblower at a constant height from the ground without scraping it.

Practical to avoid blowing gravel.

Permit snowblowing on a grassy surface while avoiding direct contact of the blade with the ground.

Contact your Pronovost dealer to obtain a quote for your specific requirements.

*Available only on a new snowblower made in production.



COMPLETE SPECIFICATIONS

HP recommended (min. - max.)	120 to 200 HP PTO
Approximate performance	1600 tons imp. / hour (tractor 150 HP)
Working width	102" / 2591 mm
Cutting height	53" / 1346 mm
Hitch category	2 & 3 - 35" / 889 mm
Cutting height of lateral blades	Included : 59" / 1499 mm Opt. CL : 78" / 1981 mm Opt. CLH : 78" / 1981 mm
Height of chute base (TRC model)	51 1/2" / 1308 mm

Height with telescopic chute (TRC model)	PCTC-IND : 129" / 3277 mm closed, 160 1/2" / 4077 mm extended PCTC-INDR : 126" / 3200 mm closed, 158" / 4013 mm extended
Impeller diameter	34" / 864 mm
Depth of drum	15" / 381 mm
Drum position	Offset of 6" right
Impeller housing contour : Hardox 450	Included 1/4"
Number of impeller blades	6 - 3/8" thickness, replaceable, Hardox 450
Impeller shaft diameter	2" / 51 mm
Height of impeller center	22 1/4" / 565 mm
Rotor RPM	540 inverted
Required RPM for the tractor PTO	1000 RPM
Number of augers	1
Main auger diameter	34" / 864 mm - removable hub, dual band, bolted, carbon steel teeth
Bearing / ductile iron housing	2 1/2" / 64 mm
Drive chain - Main auger	Renold No. 100HV in oil bath
Frame - Sides	Plate 1/4"
Frame - Back	Plate 10 Gauge
Number of shear bolts	1 for impeller + 1 for auger
Drum rotation for hydraulic motor (TRC only)	Std.
Drum rotation with rotation system	On antifriction with hydraulic motor, cushion valve included
Reducer and inverter 1000/562 RPM - 250 HP at 1000 RPM - 2 gears - shafts 6 3/4"	Included
Height of speed reducer shaft	Adjustable from 27 3/8" to 19 1/4"

Drive shaft included (optional)	V90 multilobe, choice of yoke depending of tractor
Lateral blades - High quality steel	Included : 1/2" x 5 3/4" x 59"
Lateral blades - Hardox 450	Opt. CL : 5/8" x 5 3/4"
Lateral blades - Hydraulic blades	Opt. CLH : 5/8" x 7 1/2" Hardox 450 sharpened (cylinder 25TR08 included)
Scraper blade - Industrial made of Hardox 450	Included 1/2" x 6" not reversible, sharpened, assembled to 6 degrees
Adjustable skid shoes - Rocktec	Included 4 skid shoes, adjustment with spacers
Rocktec lateral skid shoe for sidewalks	Opt.(right or left side)
Chute - Telescopic including extension cylinders	Opt.
Chute - Telescopic with rounded deflector including extension and deflector cylinders	Opt.
Chute rotation system - Hydraulic motor kit (motor not included)	Inclus avec MLH-315 et valve d'amortissement
Chute rotation maximum angle - Hydraulic motor rotation	305°
Antifriction for chute	Included : ring
Deflector - Hydraulic cylinder	Included with chute
Color	Included : Industrial yellow
Storage support	Included
Center of gravity from 3 point hitch at its shortest	39" / 991 mm
Rotational force (reference)	173 550 lbs-po
Weight	4450 lbs / 2019 kg
Weight including chute (TRC model)	4450 lbs / 2019 kg including chute PCTC-IND and reducer

Design and specifications subject to change without notice.

CONTACT US

260, Haut-du-Lac-Sud (route 159)

Saint-Tite QC G0X 3H0

Directions

T 418 365 7551

F 418 365 7954

info@pronovost.qc.ca

Follow us on:

PHOTOS AND VIDEOS

BROCHURES

TESTIMONIALS

Farm Equipment Manufacturers Association Member

[Top](#)

2023 - Pronovost Inc © All rights reserved