

PRONOVOST SNOWBLOWERS

THE MOST VERSATILE SNOWBLOWER LINEUP IN THE INDUSTRY

Three groups totaling over 40 models, each adapted to perform in all types of heavy duty conditions.

Pronovost is recognized for the outstanding performance of its snowblowers and constantly pushing the boundaries with innovative concepts such as PXPL / X-PRO and Inverted snowblowers.

TO WIN THE BATTLE AGAINST SNOW, THE PROS USE PRONOVOST.



PRONOVOST
GROUP I, II, III



INVERTED



PXPL / X-PRO



www.pronovost.qc.ca
CONNECTING TO PERFORMANCE.

PRONOVOST Series

Years of research, development and intensive testing resulted in snowblowers with characteristics clearly reflecting Pronovost leadership in snowblowing equipment.

GROUP I

10 MODELS

Widths : 54" to 80"



Horse Power recommended :
18 to 70 HP PTO

"Commercial and private user" series, designed for compact and subcompact tractors. Snowblowers offering a remarkable weight-strength ratio. The perfect choice for the true snow removal professional.

GROUP II

17 MODELS

Widths : 74" to 98"



Horse Power recommended :
50 to 125 HP PTO

Bringing together the most popular styles among snow removal professionals, snowblowers in this series combine the robustness and manoeuvrability that forged the Pronovost reputation for decades.

GROUP III

8 MODELS

Widths : 98" to 108"



Horse Power recommended :
100 to 150 HP PTO

High performance commercial snowblowers for use in difficult conditions that snow removal professionals will appreciate.



STANDARD FEATURES

- Balanced auger.
- Automatic double chain binder.
- High quality steel quick adjust skid shoes.
- Unique adjustable 3 point hitch.
- Robust reinforced sides.
- Lighter balanced impeller, which is stronger and more efficient.
- Roller bearing encased in ductile cast iron.
- Bolted rotating drum (thereby removable) mounted on UHMW bearing (TRC).
- Hydraulic motor chute rotation kit (without motor).
- Chute rotation on antifriction ring.
- Removable scraper blade set on a 6° angle and reversible (on Group II and III).
- Easy maintenance.



✓ Drum rotation by orbit motor for all TRC models.



✓ High quality steel quick adjust skid shoes.

- ✓ Optional upper auger.
- ✓ Optional full flight serrated auger.



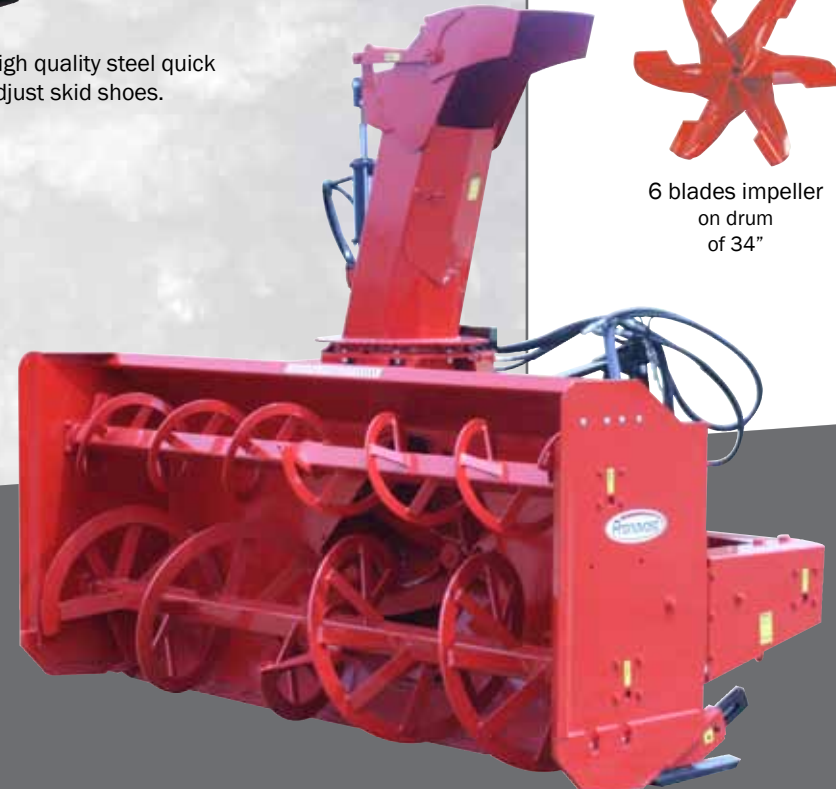
4 blades impeller on drum from 22" to 28"



5 blades impeller on drum from 30" to 32"



6 blades impeller on drum of 34"



CHARACTERISTICS & OPTIONS

CHUTE



Semi-industrial chute
With greasable hinges and removable access panel.



Industrial chute
Quick attach industrial chute with greasable hinges and removable access panel.



48" extension
for industrial chute.



24" extension
for industrial chute.



Telescopic chute
Hydraulic telescopic industrial chute, a versatile chute for general use, with greasable hinges and access panel.



Round deflector telescopic chute
Hydraulic telescopic industrial chute with rounded deflector designed for truck loading, greasable hinges and access panel.

CHUTE ROTATION KIT



With hydraulic motor
Chute base on antifriction ring.

CHUTE DEFLECTOR



Manual



Hydraulic cylinder

SKID SHOES



PHD - Industrial skid shoes with Hardox 450 soles
Long life.

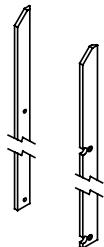


PSHD - Industrial skid shoes with Rocktec soles
Extra long life.



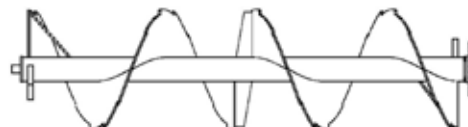
PST - Skid shoes with stainless steel soles
Rust proof.

LATERAL BLADES



High quality steel lateral blades

FULL FLIGHT SERRATED MAIN AUGER



CHARACTERISTICS & OPTIONS

COLOR



PRONOVOST
Red



NEW HOLLAND
Blue



LANDINI
Blue



KUBOTA
Orange



INDUSTRIAL
Yellow



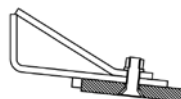
JOHN DEERE
Green

SPEED ACCELERATOR

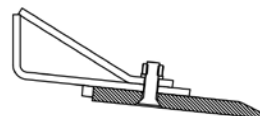


Accelerator 540/756
45 HP

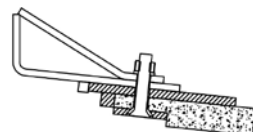
SCRAPER BLADE



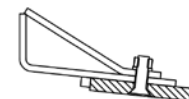
SIT1 - Hardox 450 scraper blade, not sharpened
Long life.



T1 - Hardox 450 scraper blade, sharpened
Extra long life.



TV - Tivar scraper blade
Non-aggressive and rust proof.



SST - Stainless steel scraper blade, not sharpened
Rust proof.

SPEED REDUCER



PR-81054
Triple chain reducer
1000 / 540 RPM



PRH-30M-2
3 gears reducer
1000 / 555 RPM

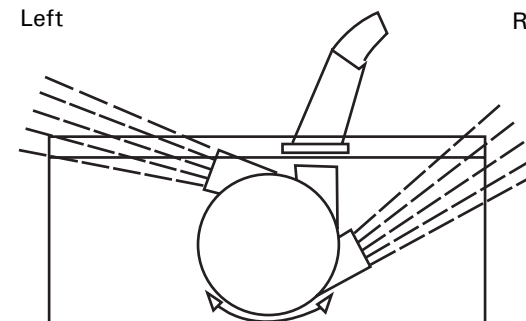


PRH-25M-2
Drop box : Reduce and reverse or reducer only
1000 / 540 RPM

ROTARY DRUM

Left

Right



Rotary drum
On all TRC models.

PTO



Bigger PTO



Multilobe PTO



Bigger, multilobe PTO

TESTIMONIAL

« My father and I like to work with our Farmall 45 CVT and our P-720 Snowblower from Pronovost. It is a lot more fun to work this way ! »

Kevin and Alain Côté, Upton, Qc

Owners of a Hardy Front 3 points Hitch and a P-720 Snowblower.



SUPERIOR AND ADVANCED EQUIPMENT

SPECIFICATIONS

		GROUP I						GROUP II		
		P-540	P-620	P-680	P-720	P-720-74	P-720-80	P-720-8028	P-740	P-800
		-	-	-	P-720TRC	P-720TRC-74	P-720TRC-80	-	-	P-800TRC
HP PTO recommended	min.-max.	18-25	20-30	25-40	25-50	40-65	40-65	45-70	50-70	50-70
Working width	in. mm	54" 1371	62" 1574	68" 1727	72" 1828	74" 1879	80" 2032	80" 2032	74" 1879	80" 2032
Cutting height	in. mm	28" 711	30" 711	30" 762	30" 762	30" 762	30" 762	30" 762	34" 864	34" 864
Drum diameter	in. mm	22" 559	24" 559	24" 609	24" 609	26" 660	26" 660	28" 711	26" 660	26" 660
Depth of drum	in. mm	9" 229	9" 229	10½" 267	10½" 267	10½" 267	10½" 267	10½" 267	12" 305	12" 305
Number of impeller blades		4	4	4	4	4	4	4	4	4
Impeller shaft diameter	in. mm	1¼" 32	1¼" 32	1 ⁹ / ₁₆ " 40	1 ⁹ / ₁₆ " 40	1 ⁹ / ₁₆ " 40	1 ⁹ / ₁₆ " 40	1 ⁹ / ₁₆ " 40	1 ⁹ / ₁₆ " 40	1 ⁹ / ₁₆ " 40
Height - impeller center	in. mm	14" 356	15" 356	15" 381	15" 381	16½" 419	16½" 419	16½" 419	16½" 419	16½" 419
Impeller RPM		540	540	540	540	540	540	540	540	540
Number of auger		1	1	1	1	1	1	1	1	1
Main auger diameter	in. mm	16" 406	16" 406	19" 483	19" 483	19" 483	19" 483	19" 483	23" 584	23" 584
Upper auger 14" 355 mm diameter		-	-	-	-	-	-	-	-	-
Drive chain		50	50	60	60	60	60	60	80	80
Hitch category		1	1	1	1	1	1	1	1 & 2	1 & 2
Standard PTO shaft		T20	T20	T40	T50	T50	T50	T50	T50	T50
Weight including PSIG chute	lbs kg	614 279	649 290	771 350	745 339	750 341	768 348	773 351	1223 556	1268 577
Weight including PSIG chute (TRC)	lbs kg	-	-	-	841 382	870 395	880 399	-	-	1405 639

TESTIMONIAL

« The staff at Pronovost is very easy to work with and produce sturdy snowblowers at a very reasonable price. They are very responsive to our needs and continue to improve their products to exceed our expectations. Pronovost designs, builds and sells the highest value snowblower attachments available. Pronovost snowblowers continue to be the #1 choice of snow removal professionals in Lake Tahoe region. »

*Darin R Smith,
Alpine Smith, Inc. Lake Tahoe*



GROUP II							GROUP III			
P-860	P-862	P-860-92	P-920	P-920-98	P-922	P-98134	P-980	P-1020	P-1040	P-1080
P-860TRC	P-862TRC	P-860TRC-92	P-920TRC	P-920TRC-98	P-922TRC	P-98134TRC	P-980TRC	P-1020TRC	P-1040TRC	P-1080TRC
50-80	50-80	50-80	75-95	75-95	90-125	90-125	100-150	100-150	100-150	100-150
86" 2184	86" 2184	92" 2336	92" 2336	98" 2489	92" 2336	98" 2489	98" 2489	102" 2591	104" 2641	108" 2743
36" 914	42" 1067	36" 914	39" 991	39" 991	44" 1118	40" 1016	48" 1219	48" 1219	48" 1219	48" 1219
28" 711	28" 711	28" 711	30" 762	30" 762	34" 864	34" 864	34" 864	34" 864	34" 864	34" 864
12" 305	12" 305	12" 305	12" 305	12" 305	12" 305	12" 305	15" 381	15" 381	15" 381	15" 381
4	4	4	5	5	6	6	6	6	6	6
1 ⁹ / ₁₆ " 40	1 ⁹ / ₁₆ " 40	1 ⁹ / ₁₆ " 40	2" 50,8	2" 50,8	2" 50,8	2" 50,8	2" 51	2" 51	2" 51	2" 51
17½" 444	17½" 444	17½" 444	20" 508	20" 508	21" 533	21" 533	21½" 546	21½" 546	21½" 546	21½" 546
540	540	540	540	540	540	540	540	540	540	540
1	2	1	1	1	2	1	1 opt. 2	1 opt. 2	1 opt. 2	1 opt. 2
23" 584	23" 584	23" 584	23" 584	23" 584	23" 584	23" 584	26" 660	26" 660	26" 660	26" 660
-	Std.	-	-	-	Std.	-	Opt.	Opt.	Opt.	Opt.
80	80	80	80	80	80	80	100	100	100	100
1 & 2	1 & 2	1 & 2	2	2	2	2	2	2	2	2
T60	T60	T60	T80	T80	T80	T80	T80	T80	T80	T80
1333 606	1514 734	1383 629	1705 775	1780 809	1897 862	1935 880	2093 951	2105 957	2113 961	2129 966
1471 669	1648 749	1515 692	1855 843	1930 877	2047 930	2085 947	2305 1048	2319 1054	2325 1057	2337 1060



INVERTED Series

Blow snow going forward, work faster ! The draw behind snowblower, while still installed at the rear of the tractor, allows you to blow snow while travelling forward. The lineup consists of 2 series :

P-IV

With gear box placed at rear of snowblower.

3 MODELS

Widths : 86" to 102"



Horse Power recommended :
60 to 85 HP PTO

P-INV

With gear box placed at front of snowblower.

4 MODELS

Widths : 74" to 102"



Horse Power recommended :
40 to 100 HP PTO

STANDARD FEATURES

- Balanced auger.
- Automatic double chain binder.
- Quick adjust skid shoes on certain models.
- Adjustable front 3 point hitch.
- Robust reinforced sides.
- Lighter balanced impeller, which is stronger and more efficient.
- Roller bearings encased in ductile cast iron.
- Removable scraper blade set on a 6° angle and reversible on certain models.
- Chute rotation on antifriction ring.
- Chute with greasable hinges, access panel and cylinder included.
- Easy maintenance.





P-INV Series

The draw behind P-INV snowblower blows snow while travelling forward. The gear box on P-INV is placed at the front of the snowblower which allows backing up closer to obstacles to remove the snow and reduces the load on the 3 point hitch.

SPECIFICATIONS		P-860-IV	P-920-IV	P-920-IV-102	P-INV-74	P-INV-80	P-INV-92	P-INV-92-102
HP PTO recommended	min.-max.	60-85	60-85	60-85	40-70	40-70	75-100	75-100
Working width	in. mm	86" 2184	92" 2336	102" 2591	74" 1880	80" 2032	92" 2337	102" 2591
Cutting height	in. mm	31" 787	31" 787	31" 787	28" 711	28" 711	34" 864	34" 864
Drum diameter	in. mm	28" 711	28" 711	28" 711	26" 660	26" 660	30" 762	30" 762
Depth of drum	in. mm	12" 305	12" 305	12" 305	10½" 267	10½" 267	12" 305	12" 305
Number of impeller blades		4	4	4	4	4	4	4
Impeller shaft diameter	in. mm	1 ⁹ / ₁₆ " 40	1 ⁹ / ₁₆ " 40	1 ⁹ / ₁₆ " 40	1 ⁹ / ₁₆ " 40	1 ⁹ / ₁₆ " 40	1 ⁹ / ₁₆ " 40	1 ⁹ / ₁₆ " 40
Height - impeller center	in. mm	14½" 368	14½" 368	14½" 368	15" 381	15" 381	18½" 470	18½" 470
Impeller RPM		540	540	540	540	540	540	540
Number of auger		1	1	1	1	1	1	1
Main auger diameter	in. mm	16" 406	16" 406	16" 406	16" 406	16" 406	21 ¹ / ₄ " 540	21 ¹ / ₄ " 540
Drive chain		80	80	80	60	60	80	80
Hitch category		1 & 2	1 & 2	1 & 2	1	1	2	2
Standard PTO shaft		T60	T60	T60	T50	T50	T60	T60
Approx. weight blade and cylinder	lbs kg	221 100	229 104	242 110	90 41	94 43	154 70	162 73
Weight including chute	lbs kg	1513 687	1569 712	1629 739	970 440	990 449	1926 874	1979 898

Design and specifications subject to change without notice.



PXPL / X-PRO Series

Scrape or blow going forward, work more efficiently ! For the operator looking for high efficiency. The X-PRO push and pull snowblower allows the operator to scrape or use as a conventional snowblower. The X-PRO blade is quick and easy to use on a large or restricted area and can be lifted to allow for conventional use. In many cases, eliminates the need of a loader bucket or plow blade. The PXPL/X-PRO is adapted to perform in all types of heavy duty conditions.

PXPL / X-PRO

5 MODELS

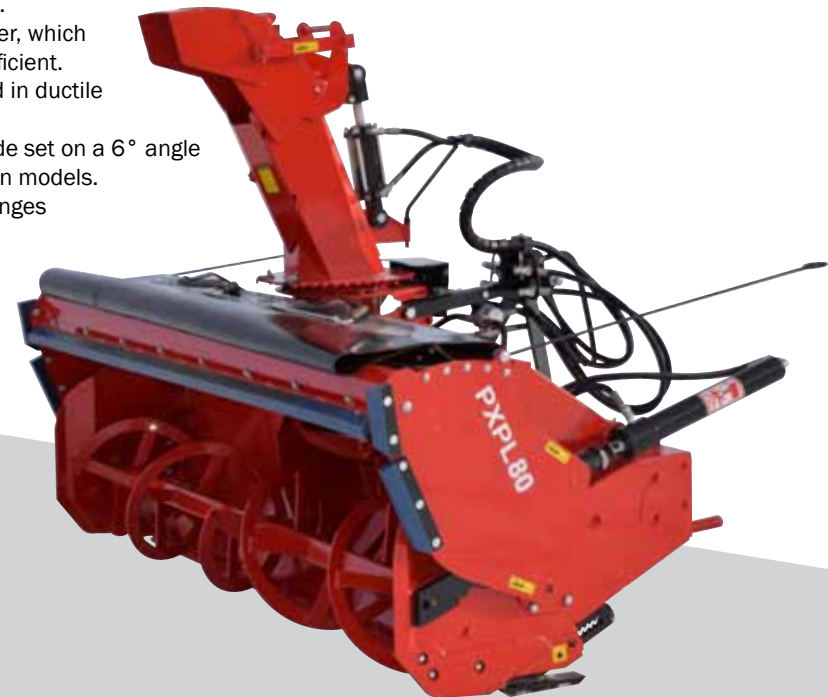
Widths : 80" to 98"



**Horse Power
recommended :**
40 to 125 HP PTO

STANDARD FEATURES

- Versatile, efficient, fast and easy to use X-PRO blade.
- Balanced auger.
- Automatic double chain binder.
- Quick adjust skid shoes.
- Adjustable front 3 point hitch.
- Robust reinforced sides.
- Lighter balanced impeller, which is stronger and more efficient.
- Roller bearings encased in ductile cast iron.
- Removable scraper blade set on a 6° angle and reversible on certain models.
- Chute with greasable hinges and access panel.
- Chute rotation on antifriction ring.
- Easy maintenance.



TESTIMONIAL

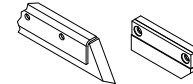
« As a snow removal professional for the last 30 years, I have run pretty much all the different snowblower brands. But since I tried my first Pronovost P-1040 back in 2002, I've never considered switching back again as the difference stood out right away. The Pronovost snowblowers run so smooth, you don't hear them. Last year, I tried a new brand that is claiming to be the new standard in snowblower. Well, I have to say that it was fine in hard snow but it just didn't work in wet snow. I'll stick with my Pronovost. »

Rosaire Roy

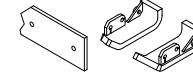
Edmunston, New-Brunswick



X-PRO BLADE OPTIONS



Tivar scraper blade and skid shoes



Hardox 450 scraper blade and skid shoes



Stainless steel scraper blade and skid shoes

SPECIFICATIONS		PXPL-80	PXPL-86	PXPL-86-92	PXPL-92	PXPL-92-98
HP PTO recommended	min.-max.	40-60	50-75	50-75	75-125	75-125
Working width	in. mm	80" 2032	86" 2184	92" 2336	92" 2336	98" 2489
Cutting height	in. mm	28" 711	28" 711	28" 711	34" 864	34" 864
Drum diameter	in. mm	26" 660	28" 711	28" 711	32" 813	32" 813
Depth of drum	in. mm	10½" 267	12" 305	12" 305	12" 305	12" 305
Number of impeller blades		4	4	4	5	5
Impeller shaft diameter	in. mm	1 ⁹ / ₁₆ " 40	1 ⁹ / ₁₆ " 40	1 ⁹ / ₁₆ " 40	2" 51	2" 51
Height - impeller center	in. mm	16½" 419	16" 406	16" 406	18 ¹ / ₄ " 464	18 ¹ / ₄ " 464
Impeller RPM		540	540	540	540	540
Number of auger		1	1	1	1	1
Main auger diameter	in. mm	16" 406	16½" 419	16½" 419	19½" 495	19½" 495
Drive chain		50	80	80	80	80
Hitch category		1	2	2	2	2
Standard PTO shaft		T50	T60	T60	T80	T80
Weight including chute base	lbs kg	1215 552	1861 844	1915 862	2114 959	2154 977

Discover the PUMA & LYNX SERIES for home use.



PUMA



PUMA INVERTED



LYNX

Discover the INDUSTRIAL SERIES for public works.



SEMI-INDUSTRIAL (PGS)



INDUSTRIAL, OPEN FLIGHT AUGER (PGV)



INDUSTRIAL, FULL FLIGHT AUGER



FOR SIDEWALK



MOTORIZED



Visit our NEW WEBSITE !
www.pronovost.qc.ca

- ✓ See our snowblowers in action.
- ✓ Learn more about our snowblowers.
- ✓ Compare models.
- ✓ Find the right snowblower for you.
- ✓ Discover the whole product range.



CONNECTING TO PERFORMANCE

Les Machineries PRONOVOST INC.

260, Haut du Lac Sud (route 159), St-Tite, Quebec, Canada, GOX 3H0

Tel.: (418) 365-7551 Fax: (888) 652-9270

info@pronovost.qc.ca • www.pronovost.qc.ca



Printed in Canada 07/2016

