

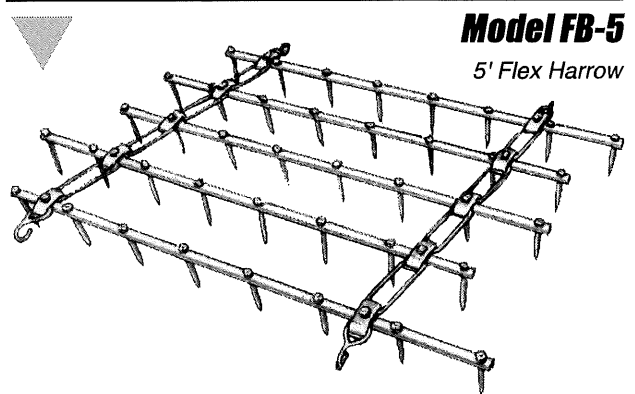
FB Series Flexible-Reversible Harrow

Flexible Harrow • 5 to 8' Working Width • Reversible for Tooth Angle

For trashy fields, pulverizing, cultivating, breaking up clods and destroying early weeds.

Features:

- Flexibility allows the individual tooth bars to pass over obstructions while the other bars stay on the ground.
- When the harrow is drawn from the front the teeth are vertical for cultivating and penetrating deep into the soil. When drawn from the other end, the tooth angle is preset for self-cleaning and smoothing.
- Hammer forged carbon steel teeth penetrate deeper and hold an edge longer.



Model	Description	No. of Teeth	Width	Weight	Price	B. Frt.
FB-5	Flexible-reversible harrow	40	5'	98 lbs.	.00	\$28.42
FB-55-1/2	Flexible-reversible harrow	40	5' 6"	100 lbs.	.00	29.00
FB-645	Flexible-reversible harrow	45	6'	106 lbs.	.00	30.74
FB-6-1/2	Flexible-reversible harrow	45	6' 6"	111 lbs.	.00	32.19
FB-7	Flexible-reversible harrow	50	7'	121 lbs.	.00	35.09
FB-8	Flexible-reversible harrow	60	8'	138 lbs.	.00	40.02

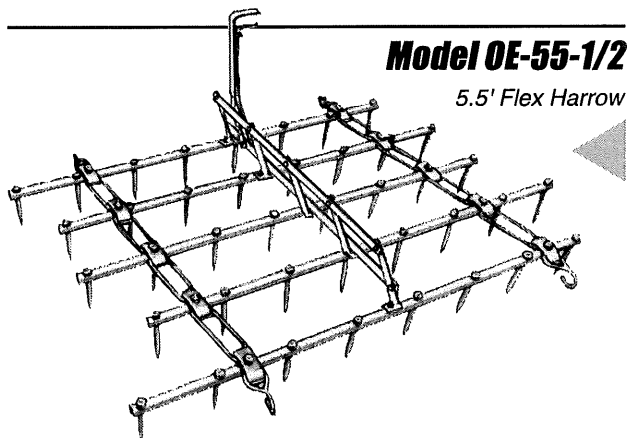
OE Series Flexible Lever-Adjust Harrow

Flexible Harrow • 5.5 to 7' Working Width • Lever Adjust Tooth Angle

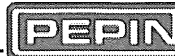
The OE breaks up clods, crusts, pulverizes, and cultivates, destroying early weeds before they start to grow.

Features:

- Exclusive lever design permits setting the teeth to any angle, yet allows full flexibility.
- Tooth bars are high carbon steel for extra strength and resistance to wear. Each bar is held firmly in its position to assure every tooth is working the soil properly.
- Hammer forged carbon steel teeth penetrate deeper and hold an edge longer.



Model	Description	No. of Teeth	Width	Weight	Price	B. Frt.
OE-55-1/2	Flexible lever harrow	40	5-1/2'	118 lbs.	\$.00	\$34.22
OE-645	Flexible lever harrow	45	6'	122 lbs.	.00	35.38
OE-6-1/2	Flexible lever harrow	45	6-1/2'	129 lbs.	.00	37.41
OE-7	Flexible lever harrow	50	7'	137 lbs.	.00	39.73

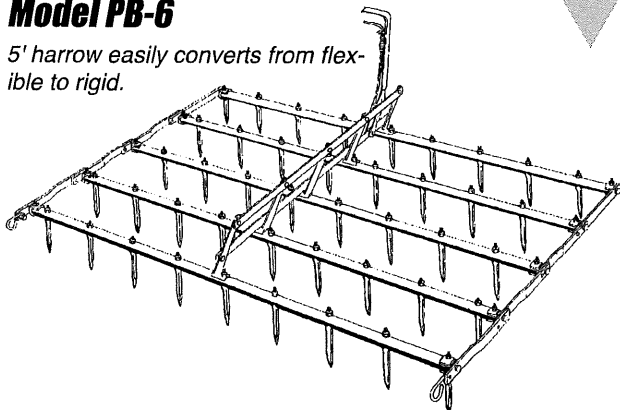


PB Series Flex/Rigid Lever-Adjust Harrow

Flexible Harrow • Available 5.5 to 7' Working Width • Lever Adjust Tooth Angle

Model PB-6

5' harrow easily converts from flexible to rigid.



Our new PB series is a flexible or rigid harrow: two for the price of one. The PB Series is specially designed to suit all farmers' needs. The flexible harrow is designed to let more trash through, while the rigid harrow is better suited for leveling.

Features:

- Quickly change from flexible to rigid: simply insert six bolts on the sides.
- Lever assembly adjusts tooth angle with harrow flexible or rigid, and folds flat for storage and transport.
- Hammer forged carbon steel teeth penetrate deeper and hold an edge longer.

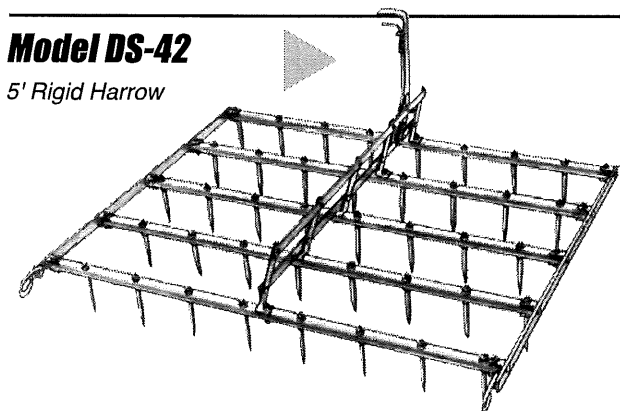
Model	Description	No. of Teeth	Width	Weight	Price	B. Frt.
PB-55A	Flexible/rigid lever harrow	40	5'	107 lbs.	\$ 00	31.03
PB-5-1/2	Flexible/rigid lever harrow	40	5.5'	114 lbs.	00	33.06
PB-6	Flexible/rigid lever harrow	43	6'	120 lbs.	00	34.80
PB-7	Flexible/rigid lever harrow	55	7'	138 lbs.	00	40.02

DS Series Rigid Lever-Adjust Harrow

Rigid Harrow • Available in 5 to 7' Working Widths • Lever Adjust Tooth Angle

Model DS-42

5' Rigid Harrow



The DS Harrow cultivates and levels the ground better because of its rigid design.

Features:

- Side rails and lever assembly are made of high carbon material for extra rigidity.
- Lever assembly tilts teeth to perfect angle for soil conditions and folds down for easy storage and transport.
- Draw hooks open toward ground to reduce unhooking.
- Teeth are hammer forged high carbon steel, which penetrates deeper and holds an edge longer than other types of teeth.

Model	Description	No. of Teeth	Width	Weight	Price	B. Frt.
DS-42	Rigid lever harrow	40	5'	109 lbs.	\$ 00	\$31.61
DS-43	Rigid lever harrow	43	5.5'	114 lbs.	00	33.06
DS-47	Rigid lever harrow	47	6'	120 lbs.	00	34.80
DS-51	Rigid lever harrow	51	6.5'	127 lbs.	00	36.83
DS-55	Rigid lever harrow	55	7'	137 lbs.	00	39.73

Heavy Duty Rigid Lever-Adjust Harrow

Rigid Harrow • Available in 5.5' to 7' Working Widths • Lever Adjust Tooth Angle

The R-series heavy-duty harrow is designed for high speed harrowing. Built extra strong— extra heavy tilting bars and braces, and extra distance between each tooth bar permits higher speeds.

Features:

- Lever assembly tilts the teeth to the angle best suited to soil and crop conditions.
- Draw hooks are designed with open ends toward ground to reduce unhooking.
- High carbon teeth are 5/8" square x 7-1/2" long with a 9/16 shank. Each reversible, replaceable tooth is locked on with a lockwasher and nut.



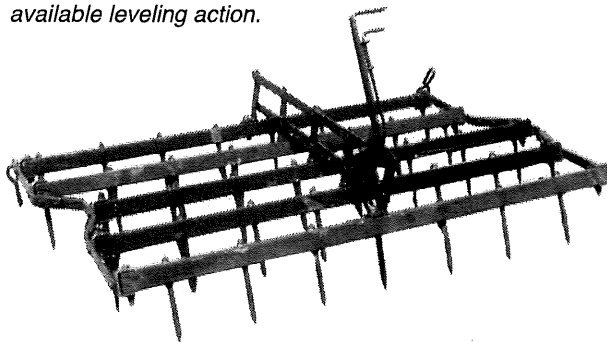
Model	Description	No. of Teeth	Width	Weight	Price	B. Frt.
R-550	Rigid heavy-duty lever harrow	40	5-1/2'	177 lbs.	.00	\$51.33
R-600	Rigid heavy-duty lever harrow	40	6'	183 lbs.	.00	53.07
R-700	Rigid heavy-duty lever harrow	50	7'	207 lbs.	.00	60.03

SQB Square Bar Lever-Adjust Harrow

Rigid Harrow • Available in 5.5' to 7' Working Widths • Lever Adjust Tooth Angle

Model SQB-5

A 5' square bar harrow is designed to provide the best available leveling action.



The Pepin SQB features tooth bars made out of 2" square high carbon heavy wall tube for superior leveling action.

Features:

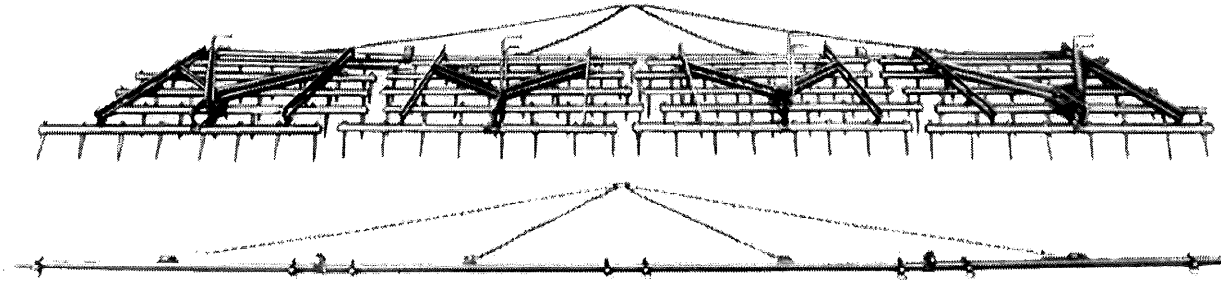
- Lever assembly adjusts teeth to the best angle.
- Draw hooks are set up for even pulling and better leveling (keeps the front bar down).
- Hammer-forged carbon steel teeth provide deep penetration, long life, and are easily replaceable.
- Unique offset configuration of the side rails allows use of multiple sections together, leaving no ridges between sections.

Model	Description	No. of Teeth	Width	Weight	Price	B. Frt.
SQB-5	Square bar lever harrow	39	5'	145 lbs.	\$.00	\$42.05
SQB-6	Square bar lever harrow	45	6'	162 lbs.	.00	46.98
SQB-7	Square bar lever harrow	55	7'	179 lbs.	.00	51.91



Pepin High Speed Drawbars

For All Pepin Harrows • 10' to 30' lengths • 1.5" x 2.5" Carbon Steel Construction



Pictured: (at top) 21-4 CPT drawbar with Four R-55-1/2 harrow sections. (above) Chain type double hinge drawbar

These combination folding or trailing drawbars with chain type hitches are the most versatile units you can buy. Here's why you get more performance per dollar when you buy a Pepin high speed drawbar:



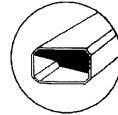
Combination hinge: Drawbar may be easily folded. Or, if you prefer, section may be trailed by removing one bolt to detach drawbar end.



Adjustable take-up: Durable coil change will never stretch or tangle. All chains may be adjusted for equal tension under all conditions.



Section Clevis: The clevis locks securely in any position of the drawbar. Fits all section widths.



Tubular bar: 1-1/2" x 2-1/2" bar is made from high carbon steel and features rounded corners.

Fits Sections	Harrow Description	Part Number	Length	No. of Sections	Weight	Price	Back Freight
PB-55A	For 5' closed or 5-1/2' open end harrow sections	**80-TC	10' 6"	2	35 lbs.	\$ 00	\$10.15
DS-42		**3-SC	15' 6"	3	57 lbs.	00	16.53
FB-55		163-C	15' 9"	3	57 lbs.	00	16.53
FB-55-1/2		214-C	21' 0"	4	85 lbs.	00	24.65
OE-55-1/2		265-C	26' 3"	5	116 lbs.	00	33.64
PB-5-1/2	For 5-1/2' closed or 6' open end harrow sections	**86-TC	11' 6"	2	38 lbs.	00	\$11.02
DS-43		173-C	17' 3"	3	62 lbs.	00	17.98
FB-645		234-C	23' 0"	4	92 lbs.	00	26.68
OE-645		285-C	28' 9"	5	125 lbs.	00	36.25
PB-6	For 6' closed or 6-1/2' open end harrow sections	**94-TC	12' 6"	2	40 lbs.	00	\$11.60
DS-47		183-C	18' 9"	3	68 lbs.	00	19.72
FB-6-1/2		254-C	25' 0"	4	99 lbs.	00	28.71
OE-6-1/2		315-C	31' 3"	5	137 lbs.	00	39.73
PB-6-1/2	For 6-1/2' closed or 7' open end harrow sections	**102-TC	13' 6"	2	45 lbs.	00	\$13.05
DS-51		193-C	20' 3"	3	75 lbs.	00	21.75
FB-7		274-C	27' 3"	4	107 lbs.	00	31.03
OE-7 *R-700							
PB-7	For 7' closed end harrow sections	**110-TC	14' 6"	2	53 lbs.	00	\$15.37
DS-55		213-C	21' 9"	3	85 lbs.	00	24.65
		294-C	29' 0"	4	124 lbs.	00	35.96

*Recommend wheel type drawbars on 5 section **Straight Drawbar only