

New Herbi Duo Range

April 2024





Herbi Duo Range



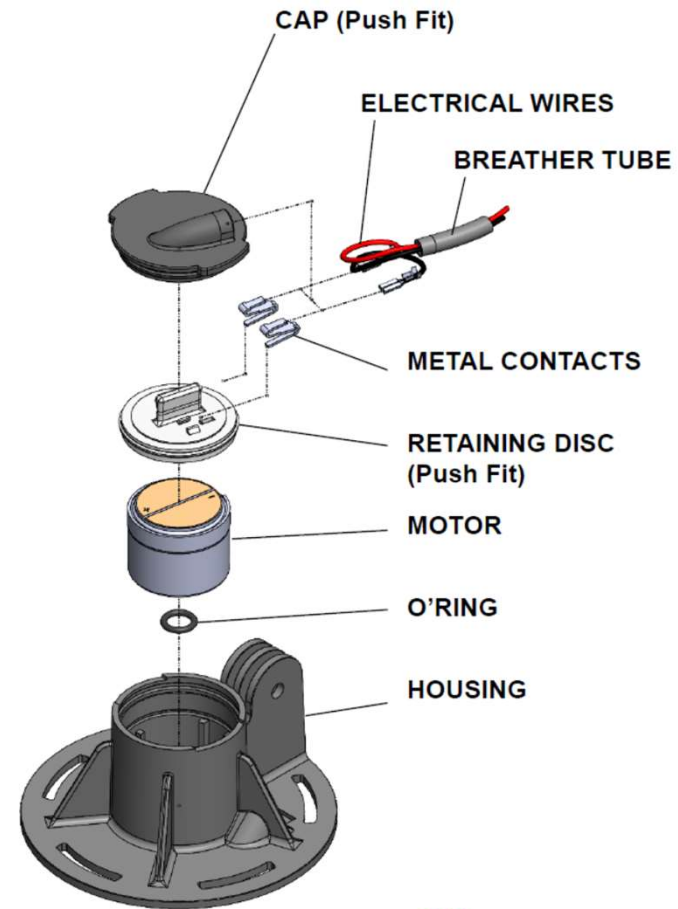
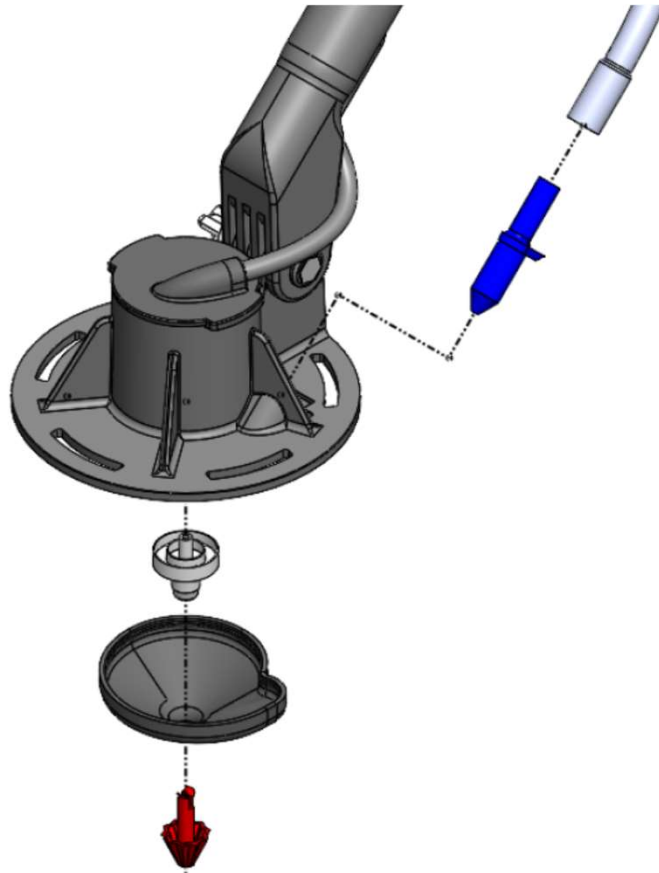
 **MICRON**
SPRAYERS

Herbi Duo – Common Features

- Zero drift operation
- Sprays two bands – 0.4m or 1m via disc selection
- Droplet size (VMD): 200-300 μ m (1m band) or 650-750 μ m (0.4m band)
- Four interchangeable nozzles for application rate selection
- Spray shield option, quick fit – 400 mm for use with narrow band disc
- Fixed motor speed – 1450RPM
- Low power requirements
- 5L or 12L back-pack options (and 2.5L bottle option available on Herbi Duo Xtra)
- Snap fit head assembly – no screws
- Ergonomic design for professional users
- Application rates of 15 – 30 L/ha
- High work rates and increased productivity



Herbi Duo – Atomiser Head



Herbi Duo – Head and Discs

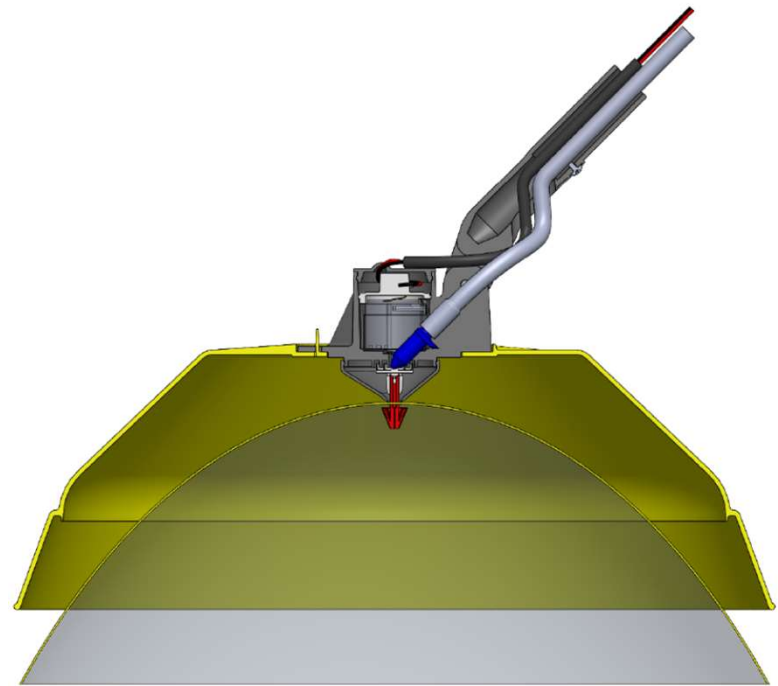
1m spray band



0.4m spray band



Herbi Duo – Spray Shield



Herbi Duo+



 **MICRON**
SPRAYERS

Herbi Duo+

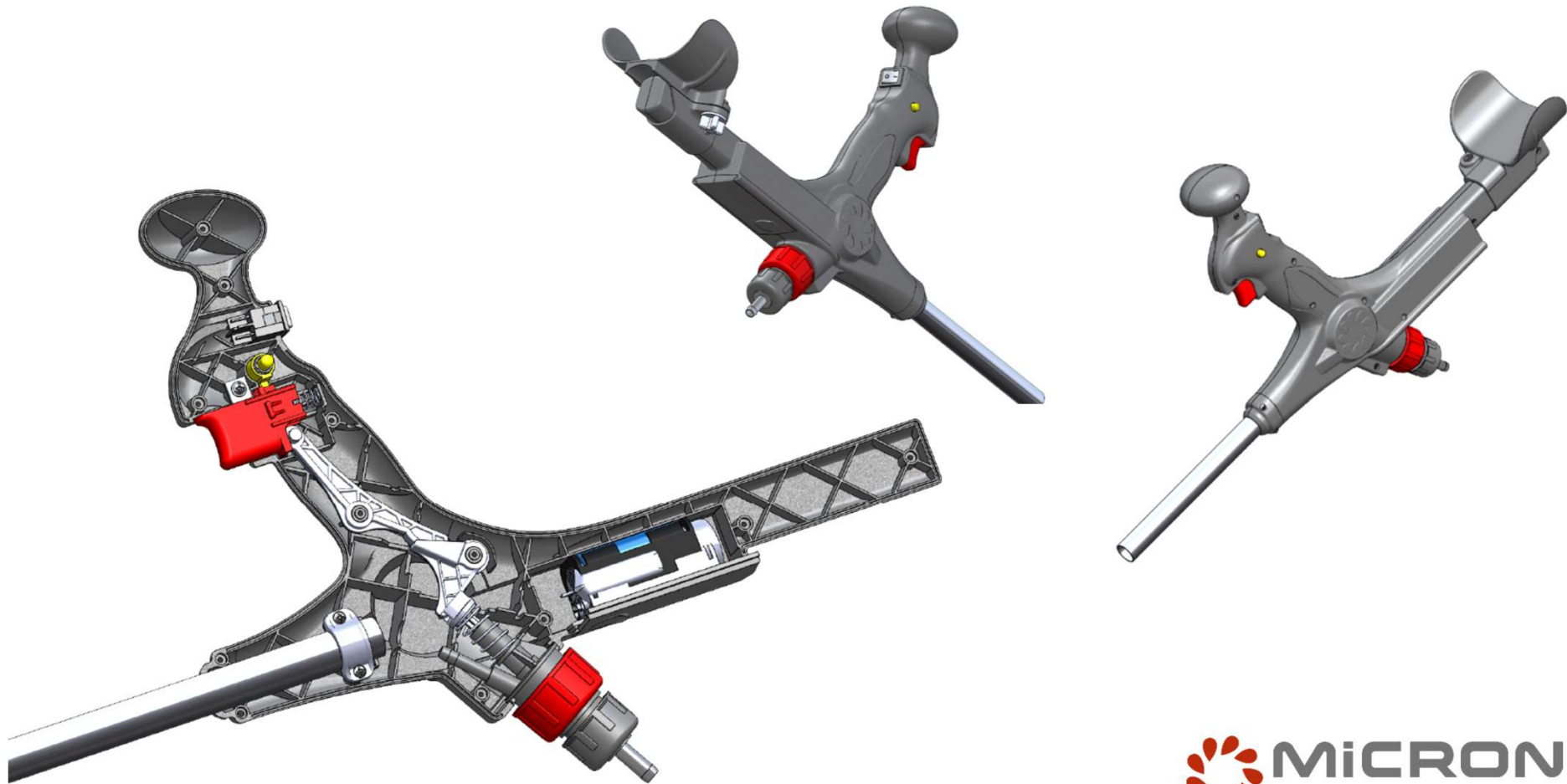


 **MICRON**
SPRAYERS

Herbi Duo+ - Features

- Quick fit dry break flow valve – easily serviceable
- One handed operation with arm rest attached on handle
- Additional hand support for ease of carrying
- On/off rocker switch for the atomiser motor
- Lockable flow valve
- 4x AA (R6) batteries – 40+ hours operation with good quality batteries
- Rechargeable batteries can be used
- Battery holder for 4 batteries in handle – Removeable
- 5L or 12L back-pack options

Herbi Duo+ – Handle



Herbi Duo+ – Valve Assembly



Herbi Duo+ – Battery Holder



Herbi Duo – Basic version



 **MICRON**
SPRAYERS

Herbi Duo – Armrest and Handle



Herbi Duo – Shield



 **MICRON**
SPRAYERS

Herbi Duo - Xtra



 **MICRON**
SPRAYERS

Herbi Duo – Features

- On/ off via end switch for the atomiser motor
- In-line tap for flow control
- Accepts 4x D batteries – 100+ hours operation with good batteries
- Optional handle and arm rest or Xtra handle and trigger option
- 5 or 12L back-pack options. 2.5L bottle option on the Xtra version

Herbi Duo Range Replaces



*M/fit System *Herbi/Herbaflex 4 Extra *Herbidome 600 *Herbidome 350 *Herbatmat

Herbi Duo Range – Tank Options



Herbi Duo – Markets

- Professional user (forestry, amenity, horticulture)
- Agriculture (fence lines, field margins)
- Pasture weed management
- Estate management
- Orchard (vines, apples, berries, nuts, citrus, pears etc)
- Small holder (cotton, tobacco, rice, coffee, market garden)
- Plantations (sugar cane, banana, tea, rubber, oil palm etc)
- Home and Garden