

 MICRON

Herbi

The complete range of hand-held CDA sprayers



The complete range of hand-held CDA sprayers

Whether you're looking for a sprayer for use in orchards, vineyards, forestry or just general weed control, we have it covered. The Micron Herbi range offers a comprehensive choice of high quality, efficient hand-held sprayers to suit most weed control situations, including band treatment, shielded applications and spot spraying.



Agriculture



Horticulture



Vegetables



Viticulture



Orchards



Turf & Amenity



Forestry



General Weed Control

Built-in CDA Technology

Conventional sprayers utilise hydraulic pressure nozzles to break up liquid, producing a wide variation of droplet sizes. Very small droplets are prone to drift whereas overly large droplets may run off, thus resulting in poor weed coverage.

The Herbi range incorporates Micron's proven CDA (Controlled Droplet Application) technology which provides a more efficient and economical method of liquid atomisation. CDA employs spinning discs to break up the spray into optimum-sized droplets for a particular application, thus considerably reducing liquid wastage and spray drift as the extremes of very large and very small droplets are eliminated. As a result, users can achieve a more uniform target coverage, better weed penetration and improved herbicide retention. With total spray volumes of just 1 – 3 USG/acre, CDA technology also means considerably less liquid is required to treat a given area.

Operational efficiencies and increased productivity:

- Cost savings due to reduced volume of spray
- Better spraying results thanks to even droplet distribution and uniform droplet size
- Reduced time and effort as considerably less liquid is needed
- Minimised drift

Safer spraying:

- Fewer mixing and filling operations

Reduced environmental impact:

- Reduced herbicide and water requirement
- Lower contamination of soil thanks to low volume, targeted application

Ergonomic Design

The Herbi range has been designed and built with the operator in mind. The machines are light to carry, yet robust and designed to last. Easy to operate and maintain, all Herbi models incorporate a battery-powered design to eliminate strenuous pumping. A range of optional extras including spray shields, shoulder straps and various tank sizes are available.

Economy Range

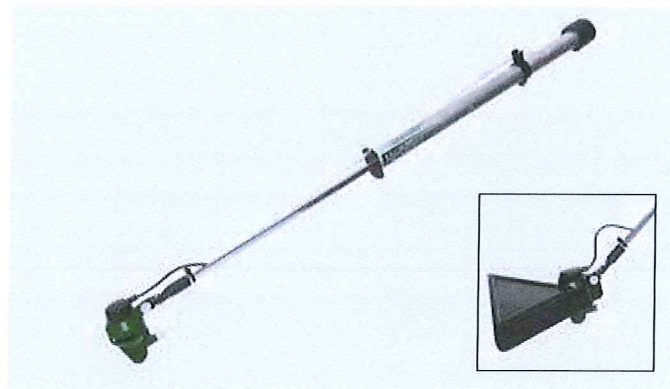
Incorporating a twist on/off motor switch at the end of the handle, the economy models are ideal for continuous or semi-continuous weed control applications.



Herbi4



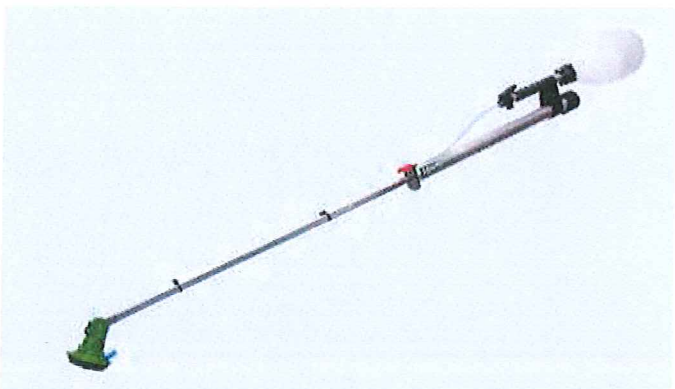
An ideal choice for band spraying, Herbi 4 can treat over 2 miles (about 1 acre) in one hour. It is suitable for general clean up, border, pathway and strip spraying (e.g. in orchards and plantations) and spraying of larger areas by making consecutive passes. The sprayer is compatible with Micron 1 ¼ and 2 ½ USG backpacks.



Herbiflex4



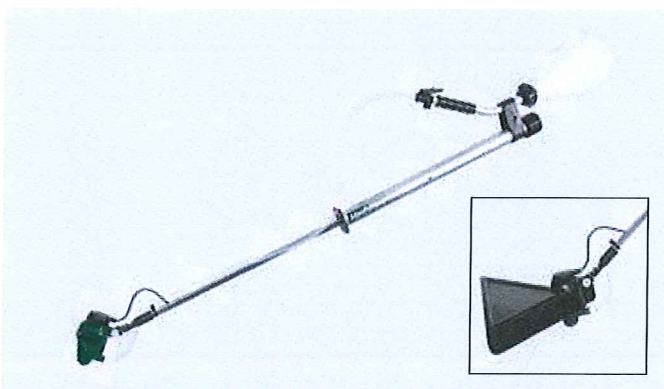
Specifically designed for narrow band spraying, Herbiflex 4 is suitable for a broad range of applications including strip spraying (e.g. vineyards and fence lines), weed control in between rows of crops and general clean up around buildings, borders and pathways. It is available with a choice of two spray heads: The A90 head produces an adjustable 4" – 18" band width whereas the B120 head can spray between 6" and 30". An optional shield can be supplied with the A90 type spray head for use in sensitive crops. Liquid supply is via a choice of 1 ¼ and 2 ½ USG backpacks.



Herbi4 Xtra



Suitable for use in most spraying operations as the Herbi 4 model, Herbi 4 Xtra features a carry handle with an on/off flow switch for ease of operation. As well as the 1 ¼ and 2 ½ USG backpacks, the handle conversion allows for the liquid to be supplied from 2 and 5 pint spray bottles which makes the sprayer particularly suited for smaller jobs.



Herbiflex4 Xtra



Herbiflex 4 Xtra offers all the advantages of Herbiflex 4 with the added flexibility awarded by the handle conversion. The ergonomically shaped handle has a built-in on/off valve to control liquid flow and facilitates attachment of 2 and 5 pint bottles for smaller treatments as required.

Shielded Models

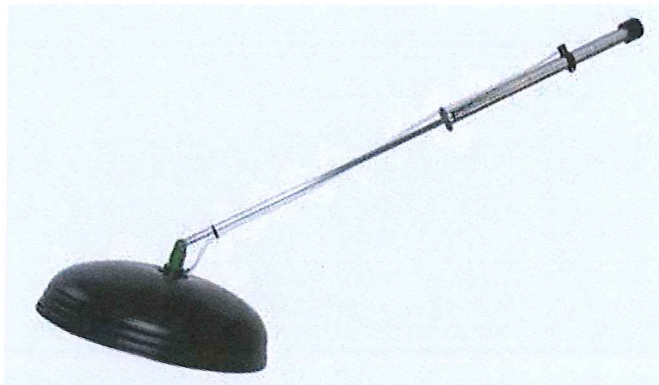
The range includes a choice of shielded models for situations where it is important to fully eliminate drift and protect the surrounding area from chemical contact.



Herbidome350



Incorporating a freely rotating shield, Herbidome 350 can be used for general weed control and herbicide applications in bands, particularly near sensitive growth where added protection against spray drift is required. Herbidome 350 is highly suitable for work in soft fruit, row crops, orchards, vineyards, amenity, forestry and sensitive areas such as waterways and marshland. With a swath of 1' 2", it can give approximately 1.5 hours of spraying time with a 2 ½ USG backpack. A 1 ¼ USG backpack is also available.



Herbidome600



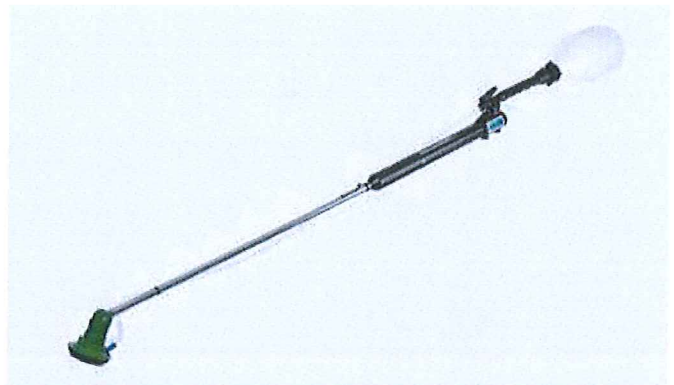
Herbidome 600 is ideal for weed treatment in Christmas trees, orchards and widely planted row crops. Fully shielded to protect the plants from chemical damage, the sprayer produces a circular 2' diameter spray pattern. Herbidome 600 can be used with Micron's 1 ¼ and 2 ½ USG backpacks.

Professional Range

Microfit System

Aimed at the professional user, Microfit is a modular spray system which is suitable for addressing multiple weed control needs. The system consists of the Microfit handle and interchangeable Herbi, Herbiflex and Herbi Twin spray lances which are capable of treating different band widths and are aimed at different applications. In addition to an electric on/off motor switch at the base, the Microfit handle incorporates a separate liquid on/off valve for ease of operation. All Microfit models are supplied with a 5 pint spray bottle as standard and can also be connected to Micron 1 ¼ and 2 ½ USG backpacks for larger spraying operations.

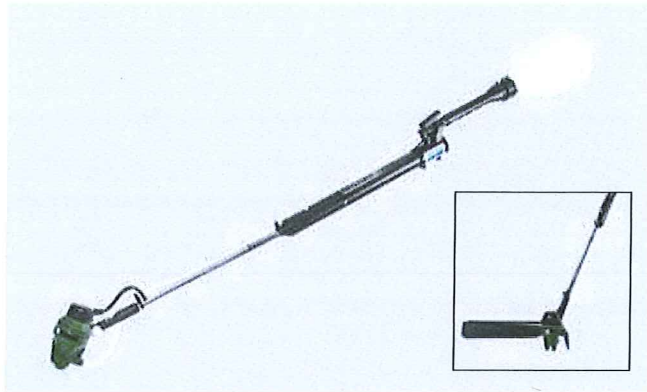
As well as the complete sprayers, the handle and lances can be purchased separately. The following complete models are available:



MicrofitHerbi



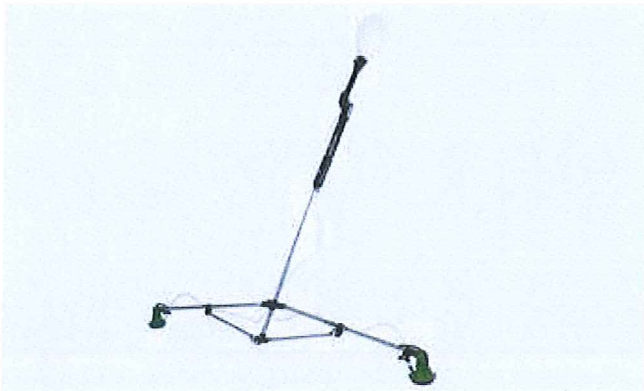
Comprising of the Microfit handle and the Herbi lance which produces a 4' circular spray pattern, the Microfit Herbi model can be used for general band spraying and herbicide applications in strips in orchards and plantations.



Microfit Herbiflex



Microfit Herbiflex incorporates the Microfit handle and the Herbiflex lance for narrow band spraying in between rows of crops, vineyards, general clean up around buildings, borders and pathways. A choice of two spray heads is available to treat different widths. The A90 head is capable of treating 4" – 18" whereas the B120 head can spray between 6" and 30" widths. An optional spray shield can be supplied with the A90 type spray head.



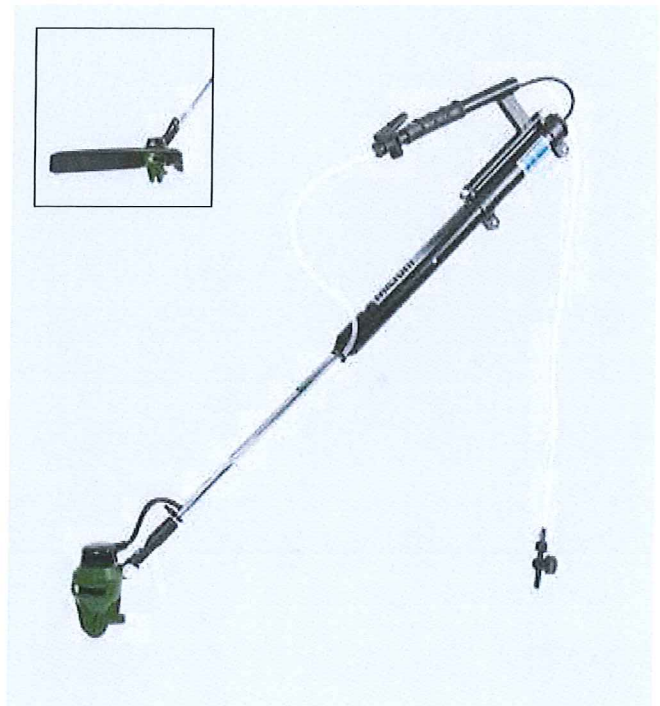
Microfit HerbiTwin



Combining the Microfit handle and the Herbi Twin lance with dual spray heads, this adjustable width model can treat between 6' and 8' a pass. This makes it ideally suited for pathway or strip spraying (e.g. in orchards and plantations) and spraying of larger areas by making consecutive spray passes.

Microfit Pro System

Microfit Pro consists of the Microfit Pro handle and the Herbiflex spray lance. As well as the master isolator switch at the end of the handle, the sprayer features a dual control switch which allows operators to control liquid flow and electric power with one hand.



Microfit Pro



Microfit Pro is a complete spraying system aimed at local authorities, nursery men and contractors. Specifically designed for spot applications, it incorporates an electronic disc braking system which gives immediate chemical shut off.

The unit comes in a choice of spray heads: The A90 head to treat 4" – 18" widths and the B120 head to spray 6" – 20" widths. An optional spray shield is available with the A90 model for herbicide applications near sensitive plants or situations where it is important to minimise spray drift. Spray liquid is supplied via a choice of 1 ¼ and 2 ½ USG backpacks.

Liquid Container Options

Different spraying tasks will require different volumes of liquid. For the operator's comfort, Micron offers 2 and 5 pint bottles for spot applications and smaller jobs and 1 ¼ and 2 ½ USG capacity backpacks for continuous and semi-continuous applications such as strip spraying or larger area applications.



2 pint



5 pint



1 ¼ USG



2 ½ USG

Technical Specification

	Herbi 4	Herbi 4 Xtra	Herbiflex 4	Herbiflex 4 Xtra	Herbidome 350	Herbidome 600	Microfit Herbi	Microfit Herbiflex	Microfit Herbi Twin	Microfit Pro
Weight (with batteries) (without tank)	2 ½ lbs	2 ¾ lbs	2 ¼ lbs	2 ½ lbs	4 lbs	4 ½ lbs	2 ½ lbs	2 ½ lbs	4 lbs	3 ½ lbs
Power Supply	6V DC (4 D-cell/R20 batteries)	6V DC (4 D-cell/R20 batteries)	6V DC (4 D-cell/R20 batteries)	6V DC (4 D-cell/R20 batteries)	6V DC (4 D-cell/R20 batteries)	6V DC (4 D-cell/R20 batteries)	6V DC (4 D-cell/R20 batteries)	6V DC (4 D-cell/R20 batteries)	6V DC (4 D-cell/R20 batteries)	6V DC (4 D-cell/R20 batteries)
Power Consumption	0.5 Watts (over 40 hours of spraying with good quality batteries)	0.5 Watts (over 40 hours of spraying with good quality batteries)	1 Watt (over 30 hours of spraying with good quality batteries)	1 Watt (over 30 hours of spraying with good quality batteries)	1 Watt (over 30 hours of spraying with good quality batteries)	0.5 Watts (over 40 hours of spraying with good quality batteries)	0.5 Watts (over 40 hours of spraying with good quality batteries)	1 Watt (over 30 hours of spraying with good quality batteries)	1 Watt (over 30 hours of spraying with good quality batteries)	1 Watt (over 30 hours of spraying with good quality batteries)
Flow Rate Range	1.2 – 5 fl. oz./min	1.2 – 5 fl. oz./min	0.5 – 1.5 fl. oz./min	0.5 – 1.5 fl. oz./min	1 – 2.5 fl. oz./min	1.2 – 5 fl. oz./min	1.2 – 5 fl. oz./min	0.5 – 1.5 fl. oz./min	4 – 10 fl. oz./min	0.5 – 1.5 fl. oz./min
Droplet Size	200-300 µm	200-300 µm	200 µm	200 µm	150 µm	200-400 µm	200-300 µm	200 µm	200-300 µm	200 µm
Band Width	4'	4'	4" – 18" (A90 head)	4" – 18" (A90 head)	14"	24"	4'	4" – 18" (A90 head)	6" – 8"	4" – 18" (A90 head)
			6" – 30" (B120 head)	6" – 30" (B120 head)				6" – 30" (B120 head)		6" – 30" (B120 head)

Accessories

	Herbi 4	Herbi 4 Xtra	Herbiflex 4	Herbiflex 4 Xtra	Herbidome 350	Herbidome 600	Microfit Herbi	Microfit Herbiflex	Microfit Herbi Twin	Microfit Pro
1L		○		○						
2.5L		○		○			●	●	●	
5L	○	○	○	○	○	○	○	○	○	○
10L	○	○	○	○	○	○	○	○	○	○
Shield			○ (with A90 model)	○ (with A90 model)	●	●		○ (with A90 model)		○ (with A90 model)
Shoulder Strap	○	○	○	○	●	●	○	○	●	

- Standard
- Optional

Distributed by

General enquiries:
Tel: +44 (0)1885 482397
Fax: +44 (0)1885 483043
Email: enquiries@micron.co.uk

Australian enquiries:
Tel: +61 (0)8 8582 4077
Fax: +61 (0)8 8582 3857
Email: enquiries@enviromist.com.au

www.microngroup.com

 **MICRON GROUP**
PRECISION APPLICATION

Mic HB 4011 SS



Herbi4

An ideal choice for band weed control



Herbi 4 is a high quality hand-held sprayer that offers users increased efficiencies and an economical method of weed control in a wide range of situations.

The Herbi 4 design incorporates CDA technology which enables users to reduce application rates and minimise spray drift.

- Minimises spray drift
- Economical and efficient
- Battery powered with no pumping required
- Light to carry and easy to use
- Robust and simple to maintain
- Optional extras:
 - Micron backpacks (available in 5 or 10 litre options)
 - Handle/valve conversion for fitting spray bottles
 - Shoulder strap

Efficient, versatile and effective

Herbi 4 is a spinning disc sprayer for the Controlled Droplet Application (CDA) of herbicides. It can use traditional water-based formulations at total spray volumes of only 10-30 litres/hectare.

The consistently large spray droplets of around 250 micron minimise any risk of spray drift and fall in a precise 1.2m wide circular spray pattern.

Herbi 4 is used worldwide for band spraying and can treat over 3 kilometres (about 0.4 hectares) in one hour. Applications include general clean-up, border, pathway and strip spraying (e.g. in orchard and plantations) and spraying of larger areas by making consecutive spray passes. The reduction in mixing and filling operations (with no mixing required with CDA formulations) offers operator safety advantages.



1. Carry Handle/ Battery Case
2. On/Off Switch
3. In-line Tap
4. Feed Nozzle
5. Atomiser Disc
6. Spray Head
7. 5L Backpack (optional extra)
(10L option is also available)

Herbi 4 (basic model) with optional 5L bottle



Herbi 4 Xtra with handle conversion and optional 2.5L bottle

Specification

Weight:	Empty:	1.5kg (5L backpack & batteries)
	Ready to spray:	6.5kg (5L backpack & batteries)
Power supply:	6V DC (4D-cell/R20 Batteries)	
Power consumption:	0.5 Watts (over 40 hours spraying with good quality batteries)	
Disc speed:	2000 rpm (governed)	
Flow rate range:	60-150 ml/min	
Droplet size (VMD):	200-300 μ m	
Band Width:	1.2m	

Distributed by

Herbiflex4

An economical hand-held sprayer for weed control



Herbiflex 4 is a versatile and highly economical sprayer specifically designed for narrow band spraying.

- Economical due to low-volume CDA application
- Battery powered with no pumping required
- Light to carry and easy to use
- Minimised spray drift
- High work rate
- Optional extras:
 - Micron backpacks (available in 5 or 10litre options)
 - Handle/valve conversion for fitting spray bottles
 - Spray shield

An economical low-volume sprayer for narrow band spraying

Incorporating Controlled Droplet Application (CDA) technology, Herbiflex 4 is a spinning disc sprayer for the application of herbicides in narrow bands.

Highly economical, it can apply CDA formulations or traditional water-based products at total spray volumes of just 10-30 litres/hectare. Herbiflex 4 produces consistently large spray droplets of around 200 microns which minimise the risk of spray drift and fall in a precise adjustable spray pattern.

Herbiflex 4 is available in a choice of spray heads. The A90 head produces an adjustable 10-50cm band width whereas the B120 head is capable of spraying between 15 and 75cm. An optional spray shield is available with the A90 model for spraying sensitive crops.

Designed for narrow band spraying of strips of weeds, it is suitable for a broad range of applications such as general clean up around buildings, borders, pathways and strip spraying (e.g. fence lines, vineyards), as well as for weed control in between rows of crops.

An efficient and safe choice

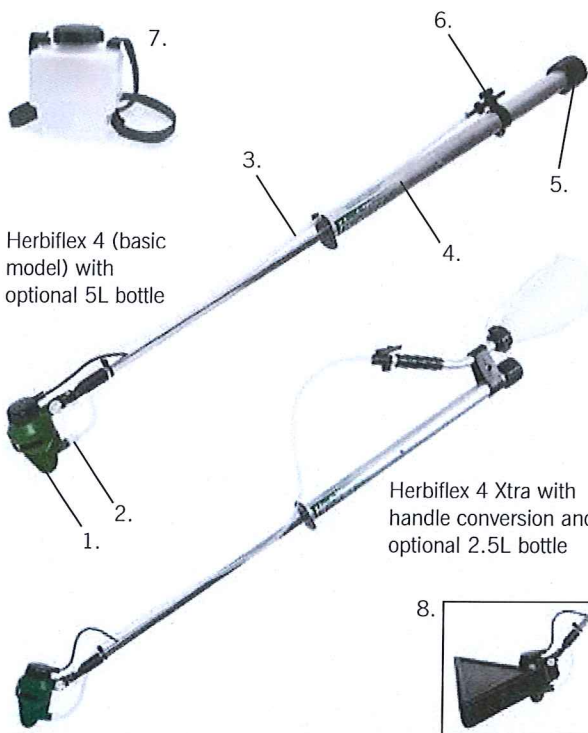
Typically over 12 kilometres can be treated in two hours with just 5 litres of spray mix, making it a highly efficient and economical choice. Further benefits include increased operator safety as fewer mixing and filling operations are needed thanks to its reduced spray liquid requirements.

Herbiflex 4 in action

If you would like to see Herbiflex 4 in use, please visit www.micron.co.uk/videos.



1. Spray Head
2. Feed Nozzle
3. Liquid Feed Tube
4. Carrying Handle/Battery Case
5. On/Off Switch
6. In-line Tap
7. 5L Backpack (optional extra) (also available in 10L)
8. Spray Shield (optional extra with A90 model only)



Herbiflex 4 (basic model) with optional 5L bottle

Herbiflex 4 Xtra with handle conversion and optional 2.5L bottle

Specification		
Weight:	Empty:	1.5kg (with 5L backpack & batteries)
	Ready to spray:	6.5kg (with 5L backpack & batteries)
Power supply:	6V DC (4D-cell/R20 Batteries)	
Power consumption:	1 Watt (over 30 hours spraying with good quality batteries)	
Disc speed:	2800 rpm (governed)	
Flow rate range:	15-45 ml/min	
Droplet size (VMD):	200 µm	
Band Width:	10-50cm (A90 spray head)	
	15-75cm (B120 spray head)	
Spray shield:	Optional extra with A90 model	

Distributed by



MIC MHT001
MIC MHB002

Microfit HerbiTwin

A hand-held wide band sprayer for general weed control



Part of the modular Microfit system, Microfit HerbiTwin offers adjustable spray area between 1.8 to 2.4 metres and is ideal for wide band or strip spraying.

- Reduced spray drift thanks to CDA technology
- Economical and efficient
- Wider spray reach thanks to dual head design
- Battery powered with no pumping required
- Optional extras:
 - Herbiflex and Herbi lances
 - Micron backpack (available in 5 or 10 litre options)

An efficient band sprayer for general weed control

Part of the modular Microfit system, Microfit Herbi Twin is a dual-head spinning disc sprayer for the Controlled Droplet Application (CDA) of herbicides. It can apply traditional water-based products at total spray volumes of only 10-30 litres/hectare or CDA formulations.

The consistently large spray droplets of around 250 micron minimise the risk of spray drift and fall in a precise spray pattern adjustable between 1.8 and 2.4m. Interchangeable Herbi and HerbiFlex lances are available for narrower band widths.



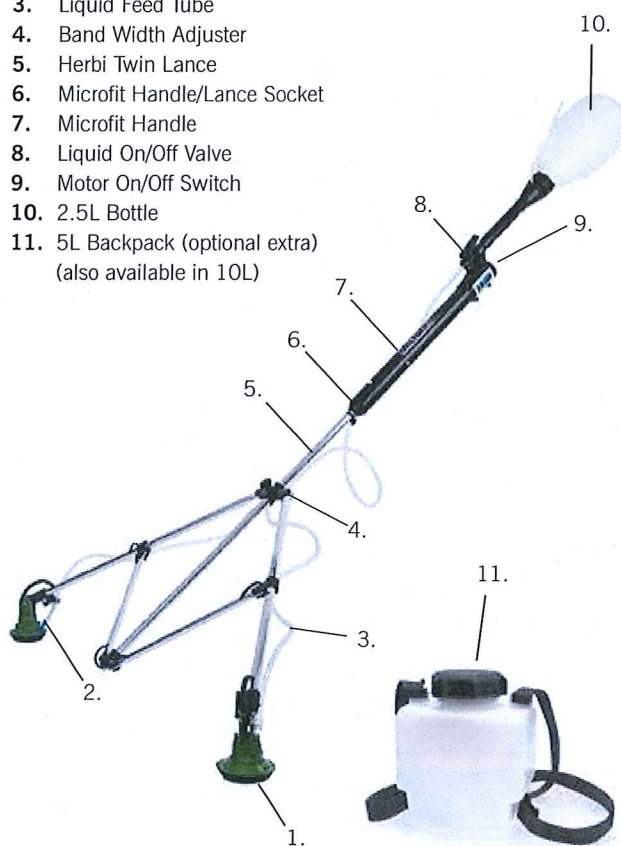
Wide range of applications

The Microfit Herbi Twin is ideal for band spraying and can treat over 3 kilometres in one hour. Uses include pathway or strip spraying (e.g. in orchards, plantations and amenity applications) and spraying of larger areas by making consecutive spray passes.

The reduction in mixing and filling operations (with no mixing required with CDA formulations) offers operator safety advantages.



1. Atomiser Disc
2. Feed Nozzle
3. Liquid Feed Tube
4. Band Width Adjuster
5. Herbi Twin Lance
6. Microfit Handle/Lance Socket
7. Microfit Handle
8. Liquid On/Off Valve
9. Motor On/Off Switch
10. 2.5L Bottle
11. 5L Backpack (optional extra) (also available in 10L)



Specification

Weight:	Empty:	2.0kg (complete with 2.5L bottle)
	Ready to spray:	4.5kg (complete with 2.5L bottle)
Power supply:	6V DC (4D-cell/R20 Batteries)	
Power consumption:	1 Watt (over 30 hours spraying with good quality batteries)	
Disc speed:	2000 rpm (governed)	
Flow rate range:	120-300 ml/min	
Droplet size (VMD):	200-300 µm	
Band Width:	1.8-2.4m	

Distributed by



MICMHx003

MicrofitHerbiflex

A narrow band sprayer for general weed control



Part of the modular Microfit system, Microfit Herbiflex is a low volume hand-held CDA sprayer for weed control applications.

- Innovative CDA technology for reduced drift
- Efficient and cost-effective spraying
- Ease of application due to battery powered design
- Lightweight and easy to operate
- High work rate
- Optional extras:
 - Herbi and Herbi Twin lances
 - Micron backpack (available in 5 or 10 litre options)
 - Spray shield (A90 version only)
 - Carrying strap

A versatile band sprayer for general weed control

Part of the modular Microfit system, the Microfit Herbiflex is a shrouded spinning disc sprayer for the Controlled Droplet Application (CDA) of herbicides. It can apply CDA formulations or traditional water-based products at total spray volumes of only 10-30 litres/hectare. The consistently large spray droplets of around 200µm minimise the risk of spray drift and fall in a precise adjustable pattern.

Microfit Herbiflex is available in a choice of spray heads. The A90 head produces an adjustable 10-50cm band width whereas the B120 head is capable of spraying between 15 and 75cm. An optional spray shield is available with the A90 model for spraying sensitive crops.

Herbi and Herbi Twin lances are available for wider band widths.

Impressive versatility

With up to 3 kilometres treated per hour, Microfit Herbiflex is used worldwide for a broad range of weed control applications. Ideal for spraying narrow strips of weeds, it can be used for general clean-up around buildings, border, pathway or strip spraying (e.g. fencelines) and in between crop rows.

Enhanced operator safety

The reduction in mixing and filling operations (with no mixing required with CDA formulations) offers operator safety advantages.



Specification

Weight:	Empty:	1.5kg (complete with 2.5L bottle)
	Ready to spray:	4.0kg (complete with 2.5L bottle)
Power supply:	6V DC (4D-cell/R20 Batteries)	
Power consumption:	1 Watt (over 30 hours spraying with good quality batteries)	
Disc speed:	2800 rpm (governed)	
Flow rate range:	15-45 ml/min	
Droplet size (VMD):	200 µm	
Band Width:	10-50cm (A90 spray)	
	15-75cm (B120 spray head)	

1. Motor
2. Atomiser Disc
3. Spray Head Adjuster
4. Herbiflex Lance
5. Microfit Handle/Lance Socket
6. Microfit Handle
7. Liquid On/Off Valve
8. Motor On/Off Switch
9. 2.5L Bottle
10. Spray Shield (optional extra)
11. 5L Backpack (optional extra) (also available in 10L)



Distributed by