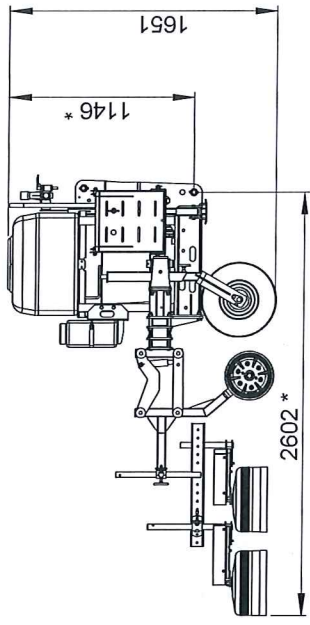
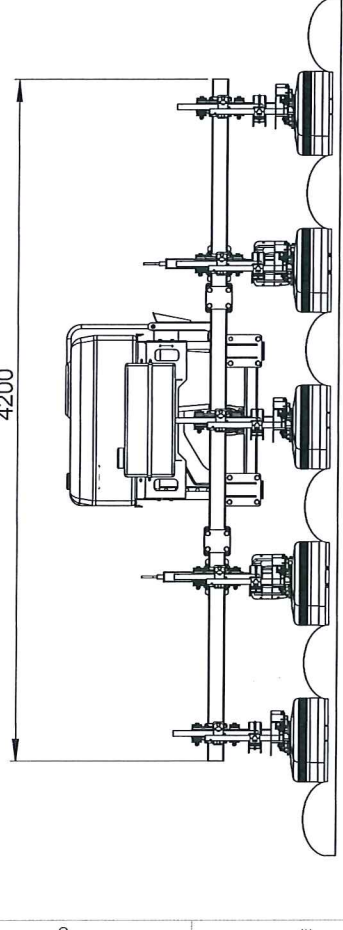
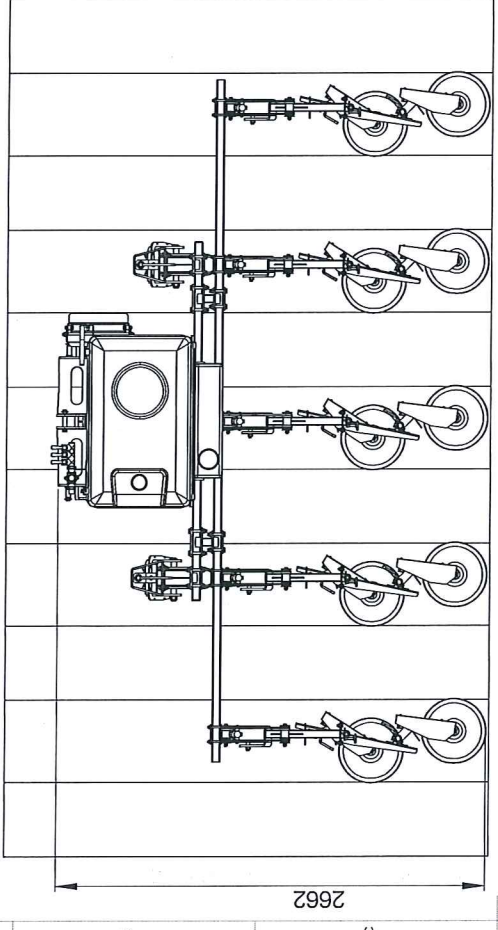
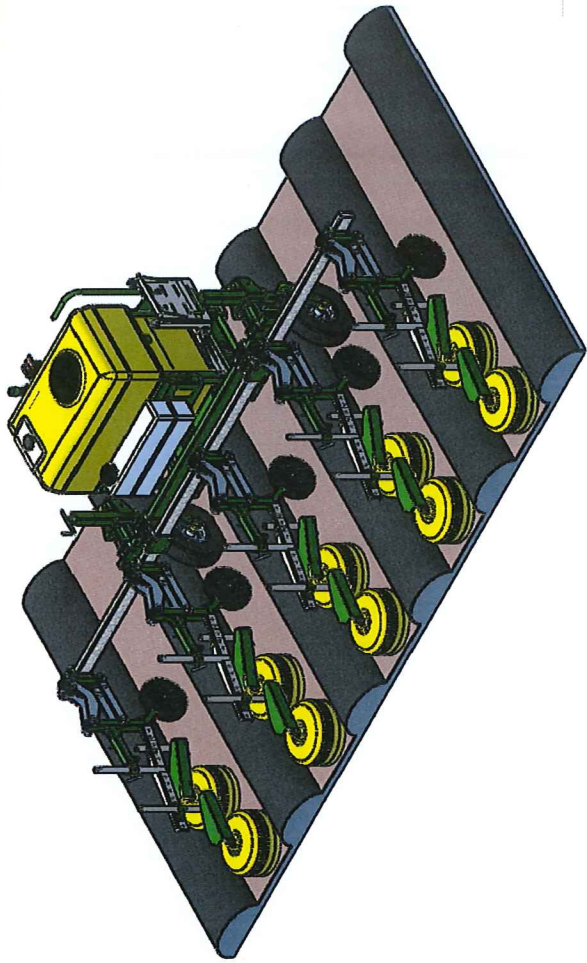


REVISIONS		7	6	5	4	3	2	1	
ZONE	REV.	DESCRIPTION	DATE	AMENDED BY	CHECKED BY				
A									
B									
C									
D									
E									
F									



		BROWYARD INDUSTRIAL ESTATE, BROWYARD, HEREFORDSHIRE, HR7 4HS TEL: 01885 462397 FAX: 01885 463043	
UNspecified TOLERANCES: 0.000.....±0.5 0.000.....±0.5 0.000.....±0.002		DENIS AND BREAK SHARP EDGES DIMENSIONS IN MILLIMETERS UNLESS OTHERWISE STATED <b>DO NOT SCALE</b>	
THIRD ANGLE PROJECTION		TITLE: <b>DESIGN PROPOSAL - SRC WILLOW</b>	
DRAWN BY: <b>M BOTFIELD</b>	DATE: <b>22/05/2015</b>	PART NO.: <b>10224</b>	
MATERIAL:		PROJECT: <b>MODULA SPRAYER SYSTEM</b>	
FINISH:		SCALE: <b>A3</b>	
WEIGHT: <b>2365411.3</b>		SHEET <b>1</b> OF <b>1</b>	

\* DIMENSIONS FROM CENTRE OF LOWER LINK PIN