

# Herbi

The complete range of hand-held CDA sprayers



# Herbi

## The complete range of hand-held CDA sprayers

Whether you're looking for a sprayer for use in orchards, vineyards, forestry or just general weed control, we have it covered. The Micron Herbi range offers a comprehensive choice of high quality, efficient hand-held sprayers to suit most weed control situations, including band treatment, shielded applications and spot spraying.



Agriculture



Horticulture



Vegetables



Viticulture



Orchards



Turf & Amenity



Forestry



General Weed Control

### Built-in CDA Technology

Conventional sprayers utilise hydraulic pressure nozzles to break up liquid, producing a wide variation of droplet sizes. Very small droplets are prone to drift whereas overly large droplets may run off, thus resulting in poor weed coverage.

The Herbi range incorporates Micron's proven CDA (Controlled Droplet Application) technology which provides a more efficient and economical method of liquid atomisation. CDA employs spinning discs to break up the spray into optimised droplets for a particular application, thus considerably reducing liquid wastage and spray drift as the extremes of very large and very small droplets are eliminated. As a result, users can achieve a more uniform target coverage, better weed penetration and improved herbicide retention. With total spray volumes of just 10-30 litres/hectare, CDA technology also means considerably less liquid is required to treat a given area.

#### Operational efficiencies and increased productivity:

- Cost savings due to reduced volume of spray
- Better spraying results thanks to even droplet distribution and uniform droplet size
- Reduced time and effort as considerably less liquid is needed
- Minimised drift

#### Safer spraying:

- Fewer mixing and filling operations

#### Reduced environmental impact:

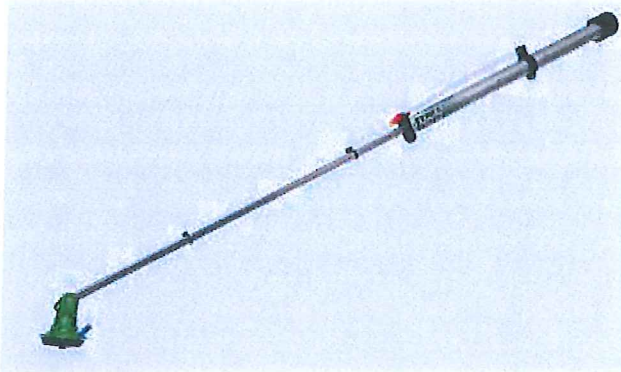
- Reduced herbicide and water requirement
- Lower contamination of soil thanks to low volume, targeted application

### Ergonomic Design

The Herbi range has been designed and built with the operator in mind. The machines are light to carry, yet robust and designed to last. Easy to operate and maintain, all Herbi models incorporate a battery-powered design to eliminate strenuous pumping. A range of optional extras including spray shields, shoulder straps and various tank sizes are available.

## Economy Range

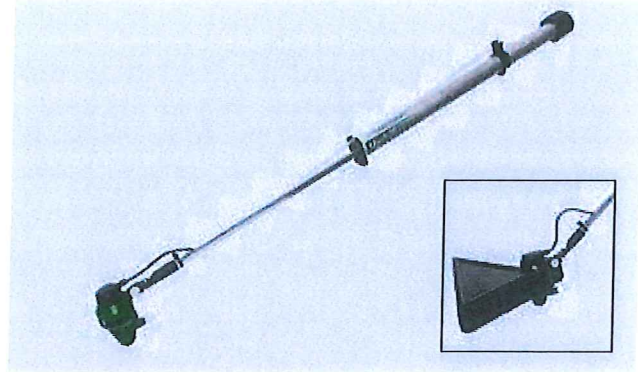
Incorporating a twist on/off motor switch at the end of the handle, the economy models are ideal for continuous or semi-continuous weed control applications.



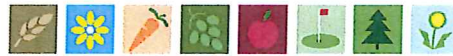
### Herbi4



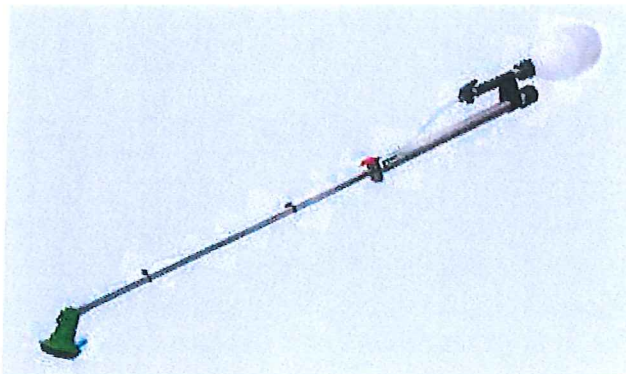
An ideal choice for band spraying, Herbi 4 can treat over 3 kilometres (about 0.4 hectares) in one hour. It is suitable for general clean up, border, pathway and strip spraying (e.g. in orchards and plantations) and spraying of larger areas by making consecutive passes. The sprayer is compatible with Micron 5 and 10 litre backpacks.



### Herbiflex4



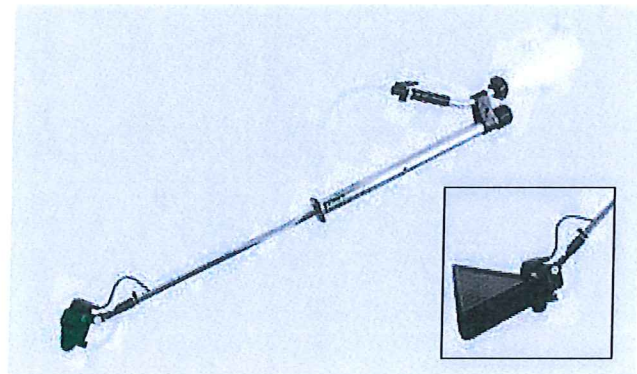
Specifically designed for narrow band spraying, Herbiflex 4 is suitable for a broad range of applications including strip spraying (e.g. vineyards and fence lines), weed control in between rows of crops and general clean up around buildings, borders and pathways. It is available with a choice of two spray heads: the A90 head produces an adjustable 10-50cm band width whereas the B120 head can spray between 15 and 75cm. An optional shield can be supplied with the A90 type spray head for use in sensitive crops. Liquid supply is via a choice of 5 or 10 litre backpacks.



### Herbi4 Xtra



Suitable for use in most spraying operations as the Herbi 4 model, Herbi 4 Xtra features a carry handle with an on/off flow switch for ease of operation. As well as the 5 and 10 litre backpacks, the handle conversion allows for the liquid to be supplied from 1 and 2.5 litre spray bottles which makes the sprayer particularly suited for smaller jobs.



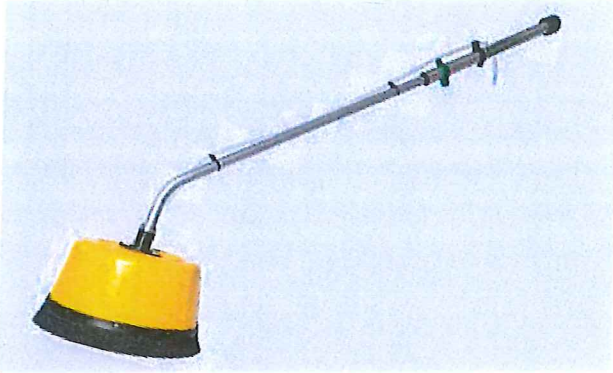
### Herbiflex4 Xtra



Herbiflex 4 Xtra offers all the advantages of Herbiflex 4 with the added flexibility awarded by the handle conversion. The ergonomically shaped handle has a built-in on/off valve to control liquid flow and facilitates attachment of 1 and 2.5 litre bottles for smaller treatments as required.

## Shielded Models

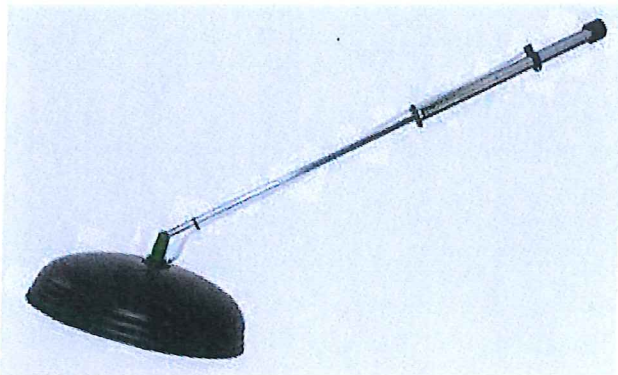
The range includes a choice of shielded models for situations where it is important to fully eliminate drift and protect the surrounding area from chemical contact.



### Herbidome350



Incorporating a freely rotating shield, Herbidome 350 can be used for general weed control and herbicide applications in bands, particularly near sensitive growth where added protection against spray drift is required. Herbidome 350 is highly suitable for work in soft fruit, row crops, orchards, vineyards, amenity, forestry and sensitive areas such as waterways and marshland. With a swath of 350mm, it can give approximately 1.5 hours of spraying time with a 10 litre backpack. A 5 litre backpack is also available.



### Herbidome600



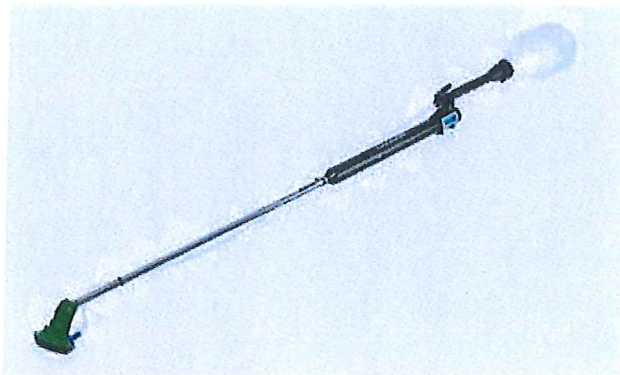
Herbidome 600 is ideal for weed treatment in Christmas trees, orchards and widely planted row crops. Fully shielded to protect the plants from chemical damage, the sprayer produces a circular 600mm diameter spray pattern. Herbidome 600 can be used with Micron's 5 or 10 litre backpacks.

## Professional Range

### Microfit System

Aimed at the professional user, Microfit is a modular spray system which is suitable for addressing multiple weed control needs. The system consists of the Microfit handle and interchangeable Herbi, Herbiflex and Herbi Twin spray lances which are capable of treating different band widths and are aimed at different applications. In addition to an electric on/off motor switch at the base, the Microfit handle incorporates a separate liquid on/off valve for ease of operation. All Microfit models are supplied with a 2.5 litre spray bottle as standard and can also be connected to Micron 5 or 10 litre backpacks for larger spraying operations.

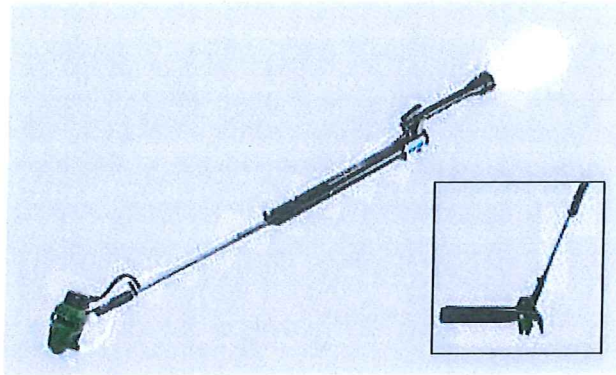
As well as the complete sprayers, the handle and lances can be purchased separately. The following complete models are available:



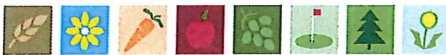
### MicrofitHerbi



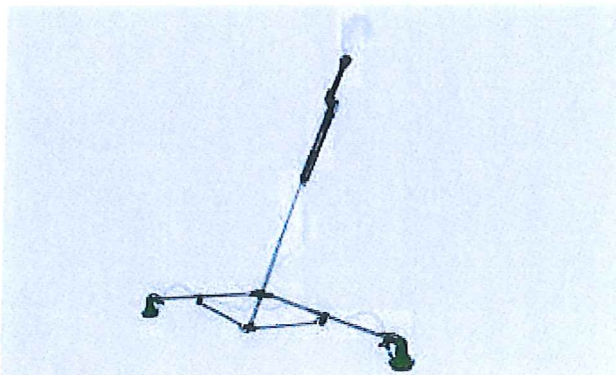
Comprising of the Microfit handle and the Herbi lance which produces a 1.2m circular spray pattern, the Microfit Herbi model can be used for general band spraying and herbicide applications in strips in orchards and plantations.



## Microfit Herbiflex



Microfit Herbiflex incorporates the Microfit handle and the Herbiflex lance for narrow band spraying in between rows of crops, vineyards, general clean up around buildings, borders and pathways. A choice of two spray heads is available to treat different widths. The A90 head is capable of treating 10-50cm whereas the B120 head can spray between 15 and 75cm widths. An optional spray shield can be supplied with the A90 type spray head.



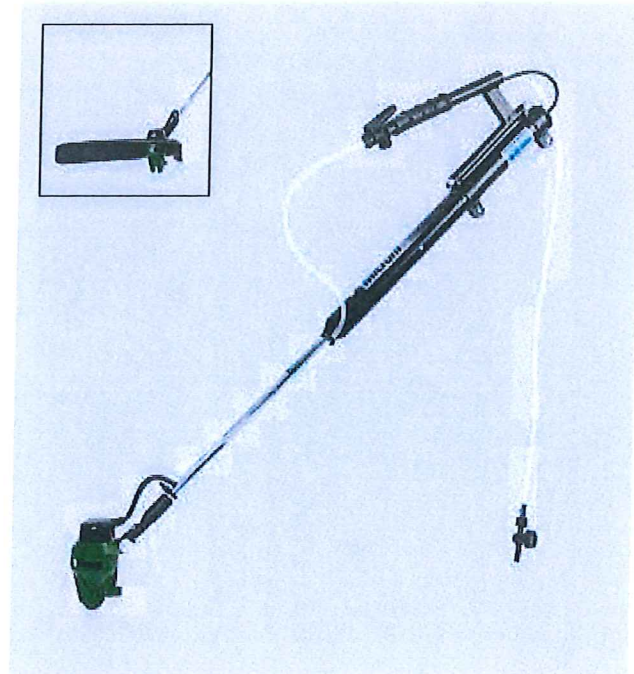
## Microfit HerbiTwin



Combining the Microfit handle and the Herbi Twin lance with dual spray heads, this adjustable width model can treat between 1.8m and 2.4m a pass. This makes it ideally suited for pathway or strip spraying (e.g. in orchards and plantations) and spraying of larger areas by making consecutive spray passes.

## Microfit Pro System

Microfit Pro consists of the Microfit Pro handle and the Herbiflex spray lance. As well as the master isolator switch at the end of the handle, the sprayer features a dual control switch which allows operators to control liquid flow and electric power with one hand.



## Microfit Pro



Microfit Pro is a complete spraying system aimed at local authorities, nursery men and contractors. Specifically designed for spot applications, it incorporates an electronic disc braking system which gives immediate chemical shut off.

The unit comes in a choice of spray heads: the A90 head to treat 10-50cm widths and the B120 head to spray 15-75cm widths. An optional spray shield is available with the A90 model for herbicide applications near sensitive plants or situations where it is important to minimise spray drift. Spray liquid is supplied via a choice of 5 or 10 litre backpacks.

## Liquid Container Options

Different spraying tasks will require different volumes of liquid. For the operator's comfort, Micron offers 1 and 2.5 litre bottles for spot applications and smaller jobs and 5 and 10 litre capacity backpacks for continuous and semi-continuous applications such as strip spraying or larger area applications.



### Technical Specification

	Herbi 4	Herbi 4 Xtra	Herbiflex 4	Herbiflex 4 Xtra	Herbidome 350	Herbidome 600	Microfit Herbi	Microfit Herbiflex	Microfit Herbi Twin	Microfit Pro
Weight (with batteries) (without tank)	1.1 kg	1.3 kg	1 kg	1.3 kg	1.9 kg	2.1 kg	1.2 kg	1.2 kg	1.9 kg	1.5 kg
Power Supply	6V DC (4 D-cell/R20 batteries)	6V DC (4 D-cell/R20 batteries)	6V DC (4 D-cell/R20 batteries)	6V DC (4 D-cell/R20 batteries)	6V DC (4 D-cell/R20 batteries)	6V DC (4 D-cell/R20 batteries)	6V DC (4 D-cell/R20 batteries)	6V DC (4 D-cell/R20 batteries)	6V DC (4 D-cell/R20 batteries)	6V DC (4 D-cell/R20 batteries)
Power Consumption	0.5 Watts (over 40 hours of spraying with good quality batteries)	0.5 Watts (over 40 hours of spraying with good quality batteries)	1 Watt (over 30 hours of spraying with good quality batteries)	1 Watt (over 30 hours of spraying with good quality batteries)	1 Watt (over 30 hours of spraying with good quality batteries)	0.5 Watts (over 40 hours of spraying with good quality batteries)	0.5 Watts (over 40 hours of spraying with good quality batteries)	1 Watt (over 30 hours of spraying with good quality batteries)	1 Watt (over 30 hours of spraying with good quality batteries)	1 Watt (over 30 hours of spraying with good quality batteries)
Flow Rate Range	60-150 ml/min	60-150 ml/min	15-45 ml/min	15-45 ml/min	30-75 ml/min	60-150 ml/min	60-150 ml/min	15-45 ml/min	120-300 ml/min	15-45 ml/min
Droplet Size	200-300 µm	200-300 µm	200 µm	200 µm	150 µm	200-400 µm	200-300 µm	200 µm	200-300 µm	200 µm
Band Width	120 cm	120 cm	10-50 cm (A90 head) 15-75 cm (B120 head)	10-50 cm (A90 head) 15-75 cm (B120 head)	35 cm	60 cm	120 cm	10-50 cm (A90 head) 15-75 cm (B120 head)	180-240 cm	10-50 cm (A90 head) 15-75 cm (B120 head)

### Accessories

	Herbi 4	Herbi 4 Xtra	Herbiflex 4	Herbiflex 4 Xtra	Herbidome 350	Herbidome 600	Microfit Herbi	Microfit Herbiflex	Microfit Herbi Twin	Microfit Pro
1L		○		○						
2.5L		○		○			●	●	●	
5L	○	○	○	○	○	○	○	○	○	○
10L	○	○	○	○	○	○	○	○	○	○
Shield			○ (with A90 model)	○ (with A90 model)	●	●		○ (with A90 model)		○ (with A90 model)
Shoulder Strap	○	○	○	○	●	●	○	○	●	

- Standard
- Optional

Distributed by

General enquiries:  
Tel: +44 (0)1885 482397  
Fax: +44 (0)1885 483043  
Email: enquiries@micron.co.uk

Australian enquiries:  
Tel: +61 (0)8 8582 4077  
Fax: +61 (0)8 8582 3857  
Email: enquiries@enviromst.com.au

 **MICRON GROUP**  
PRECISION APPLICATION

[www.microngroup.com](http://www.microngroup.com)