



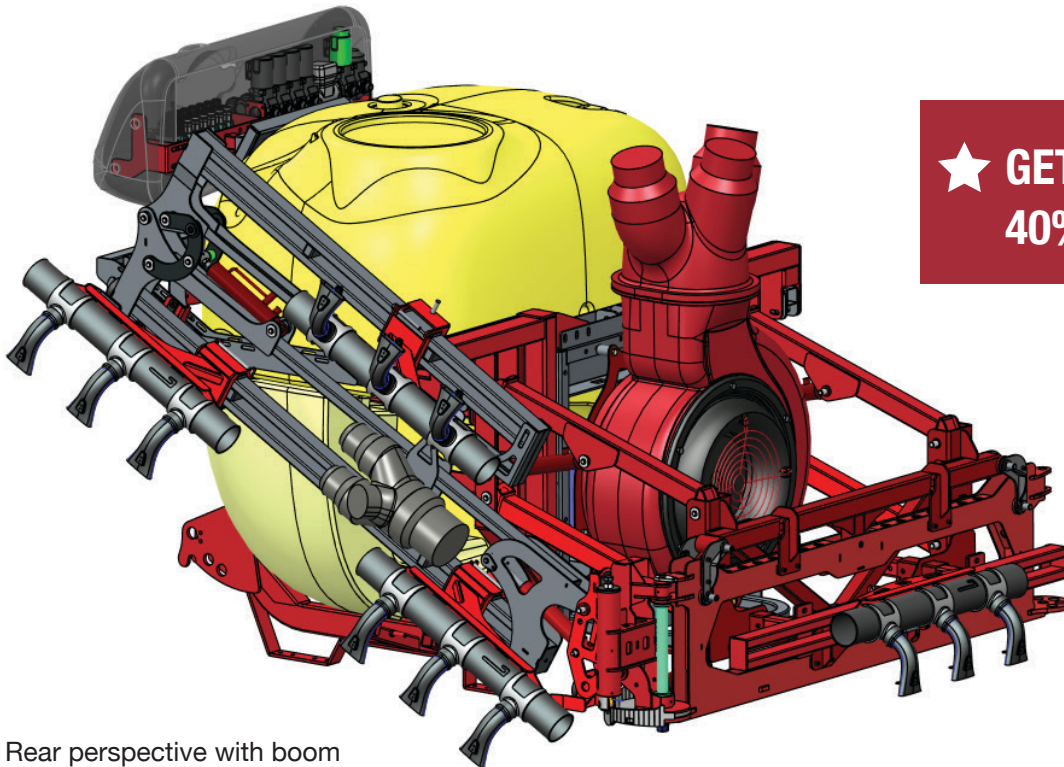
The Sprayer

CRONOS RAIL

Low Crop Sprayer

Introductory offer
Valid until 15.12.2017

ZENIT



Rear perspective with boom
in transport position

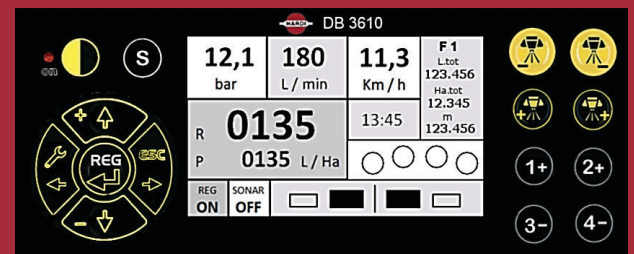
★ GET YOUR DEMO MACHINE
40% discount from pvp

ZENIT Lifmounted Sprayer

- Available in 400l. 600l. 1000l. and 1200.
- Boom size from 6m. to 12m.
- Paralift and several folding possibilities.
- Hidropneumatic paraflows.
- Vertical and horizontal spraying.
- Drift reduction.
- Versatile application (Table & Low crops).

ILEMO HARDI, S.A.U.
I.E. "El Segre", P. 712-713
E-25191 Lleida, SPAIN
ilemo@hardi-es.com

www.hardi.es



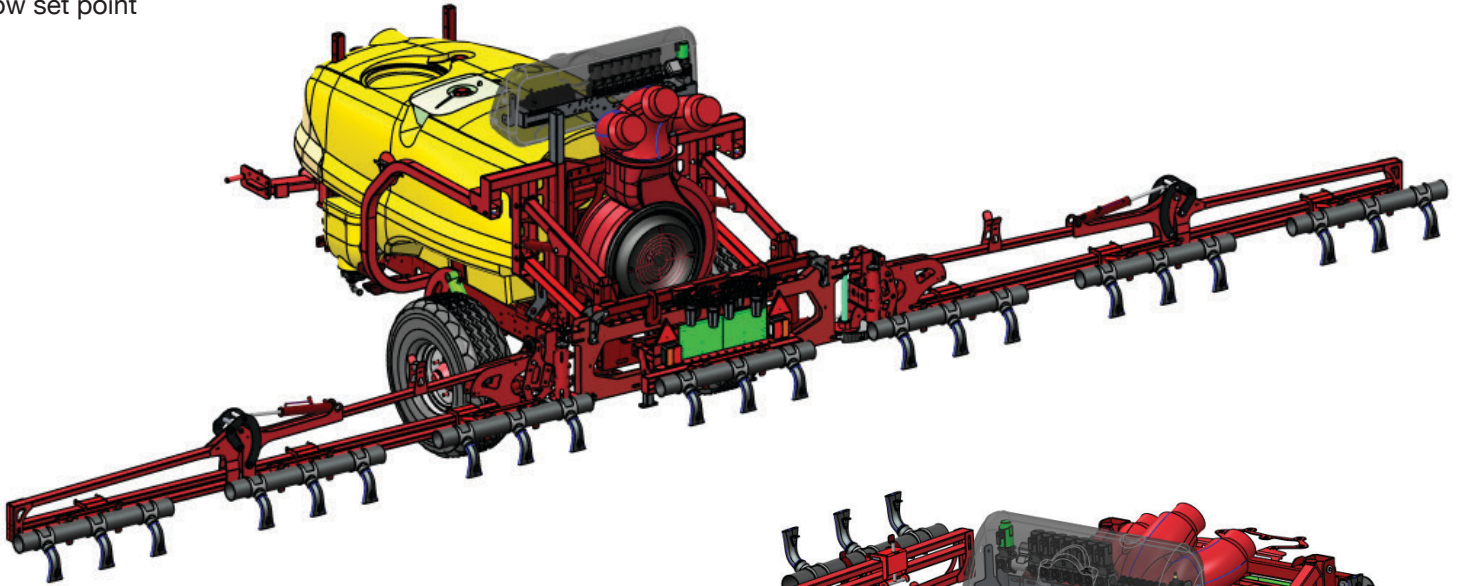
DB3610 control screen, 4 "graphic visor, easy display of all parameters: Pressure, Flow, Speed and Linked satellites, L/Ha both real and set up, Time, farms control, Valves status and Error diagnostics.

The DB 3610 incorporates a Bluetooth module that allows the customer to link directly with our technical service in Spain for the extraction of working data per farm in addition to other advanced functions.



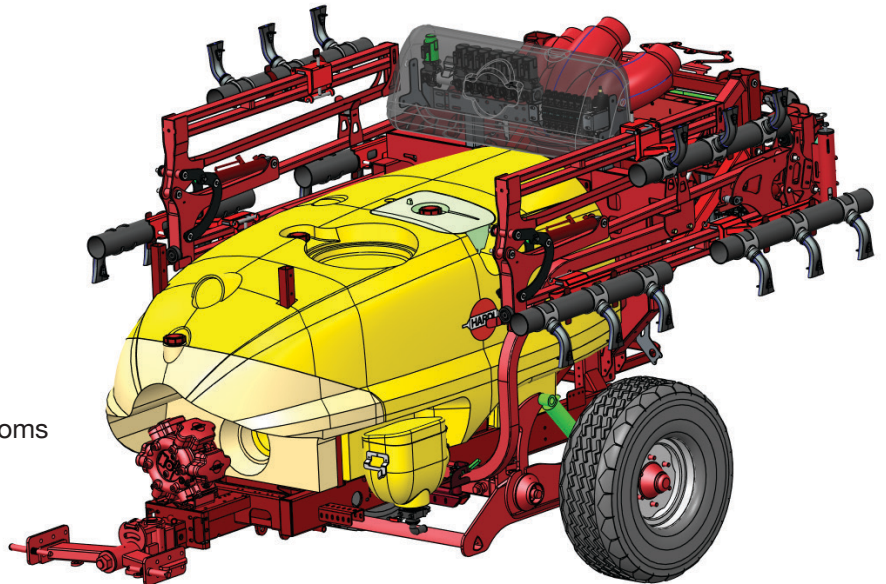
ZATURN

Rear perspective with boom in spraying position, paralift at low set point



★ **GET YOUR DEMO MACHINE
45% discount from pvp**

Front perspective with booms
in transport position



ZATURN Trailed Sprayer

- Available in 1000l, 1500l, and 2000l.
- Boom size from 6m. to 12m.
- Paralift and several folding possibilities.
- Varitrack and Wheels-Up features.
- Adjustable axle both width and height.
- Drift reduction & vertical and horizontal spraying.
- Versatile application (Table & Low crops).

Manel Estudillo • Export Area Manager

Mobile: +34606442461

Email: meg@hardi-es.com



**Turbine
P540**

Air volume from 15000m³/h to 18000m³/h. Suitable for treatments in vineyards, berry bushes, vegetables & low crops. Two speed gearbox with neutral position. Centrifugal clutch. Air intake from both, rear and front, on the Double turbine version. Polyethylene fan housing. Power consumption 22kw on the P540D.