



MICRON

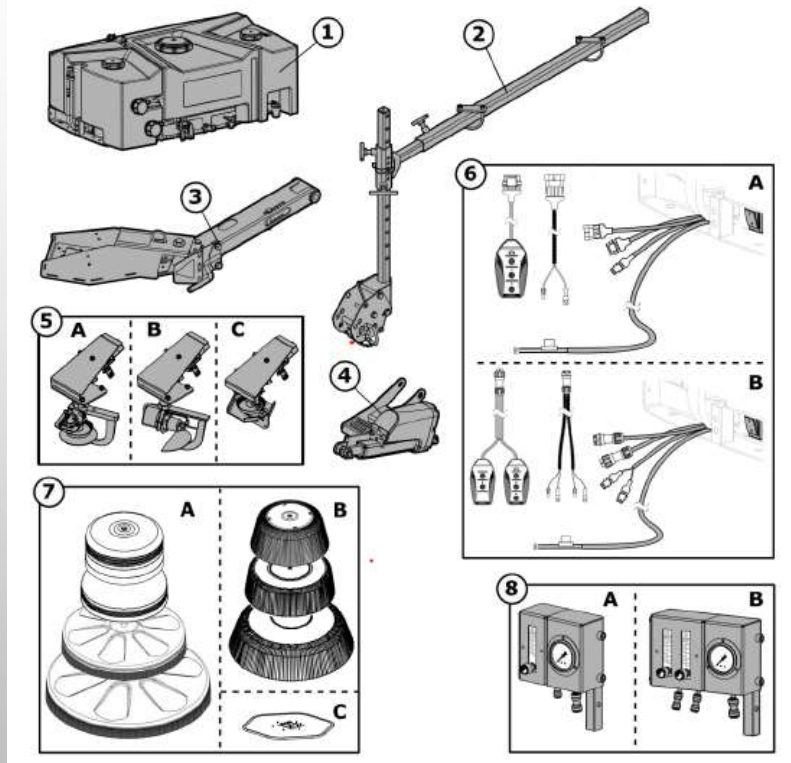
Weed Management

1. COMPONENTS AND CONFIGURATION

- a) 60 L TANK AND PUMP
- b) DOMES, HEADS, FRAMES AND FLOW CONTROL
- c) NEW ELECTRONICS AND CONTROLLERS
- d) SPRAYDOME +

COMPONENTS

1.1 Components

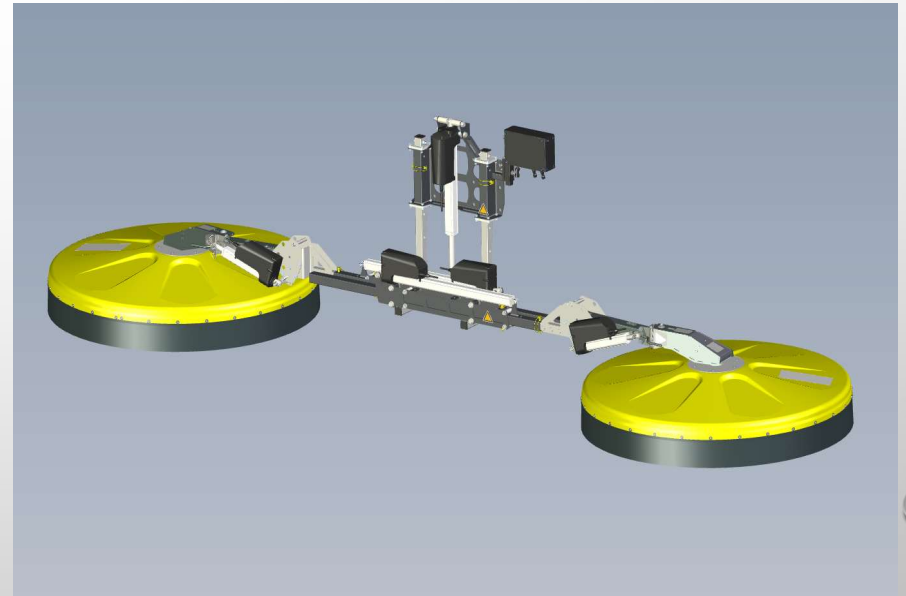
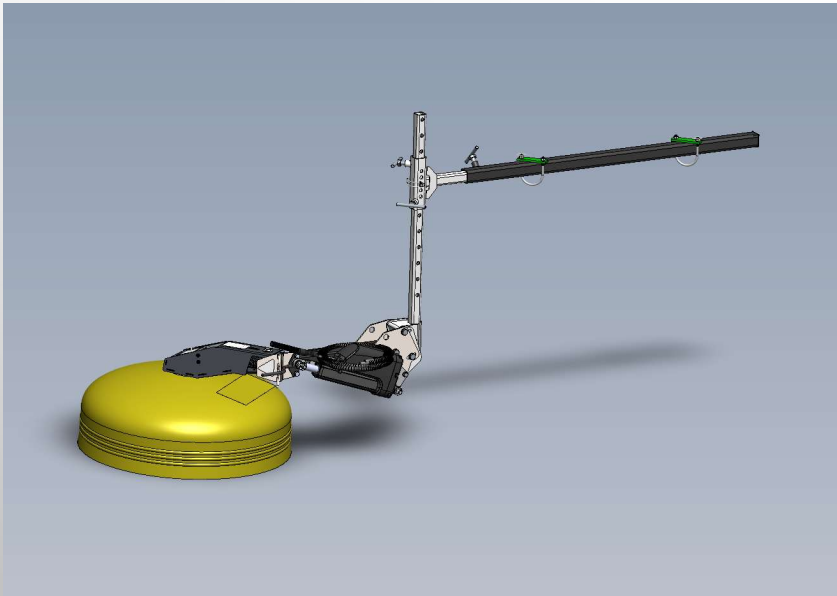


ITEM	DESCRIPTION	INSTALLATION INSTRUCTION MANUAL N°
1	60L Tank System	8M13T200
2	ATV mount support structure	8M13A200.2
3	Breakaway	8M13A200.1
4	Actuator kit	
5	A Head kit 600	8M13D200
	B Head kit 400	8M12D200
	C S-Guard head kit	8M11D200
6	A Single arm electronics kit	8M13E200.1
	B Twin arm electronics kit	8M13E200.2
7	A S-Dome shields (ø400, ø600, ø900, ø1200)	8M13D200 /
	B S-Flex shields (ø400, ø600, ø900)	8M12D200
	C S-Guard shield	8M11D200
8	A Single flow control	8M13F200
	B Twin flow control	

60 L TANK AND PUMP



DOMES, HEADS, FRAMES AND FLOW CONTROL



DOMES, HEADS, FRAMES AND FLOW CONTROL



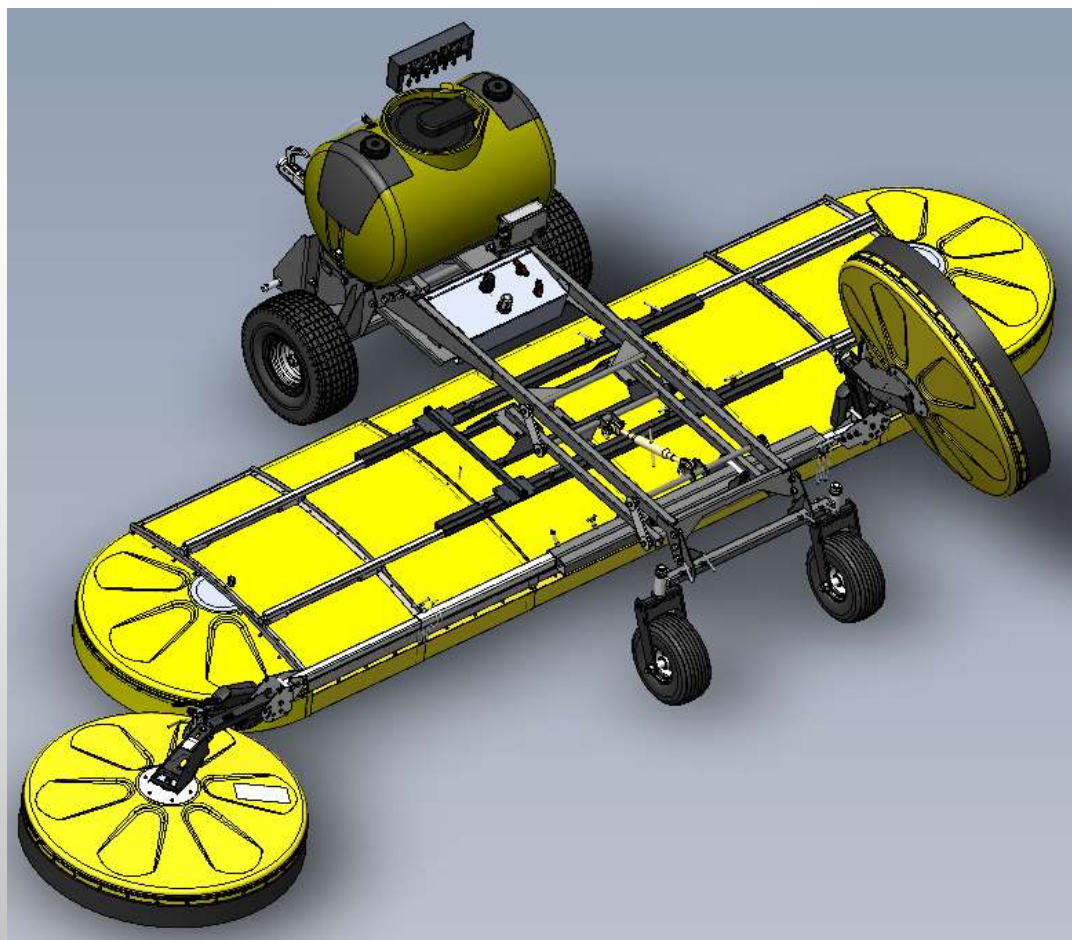
NEW ELECTRONICS AND CONTROLLER



DOMES, HEADS, FRAMES AND FLOW CONTROL



SD +



SD +

