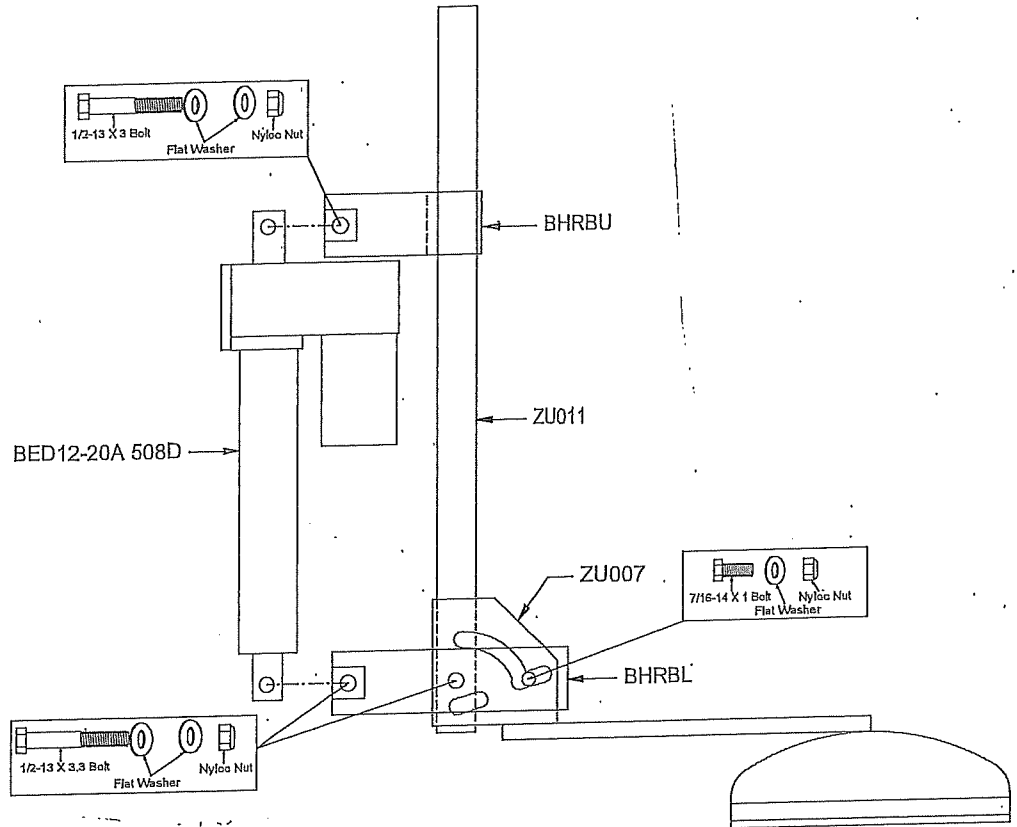


MISAA102 ONE SIDE ELECTRIC TILT KIT

MISAA103 - MIS905901

Consists of:

- 1-ENVBHRBL lower bracket
- 1-ENVBHRBU upper bracket
- 2-1/2 x 3 1/2" bolt
- 1-1/2 x 3" bolt
- 3-1/2" nylock nuts
- 6-1/2" flat washers
- 1-7/16 x 1" bolt
- 1-7/16" nylock nut
- 1-7/16" flat washer
- 2-female wire connector
- 2-male wire connector
- 1-LACT6-500A electric actuator
- 1-905901 Dual switch controller



The vertical bracket ZU011 needs the lower hole drilled to accept one of the 1/2 x 3 1/2" bolts.

Now the ZU007 arm and the BHRBL lower bracket can be installed and the 7/16 x 1" bolt used to hold bracket in place. Now install upper bracket and install actuator.