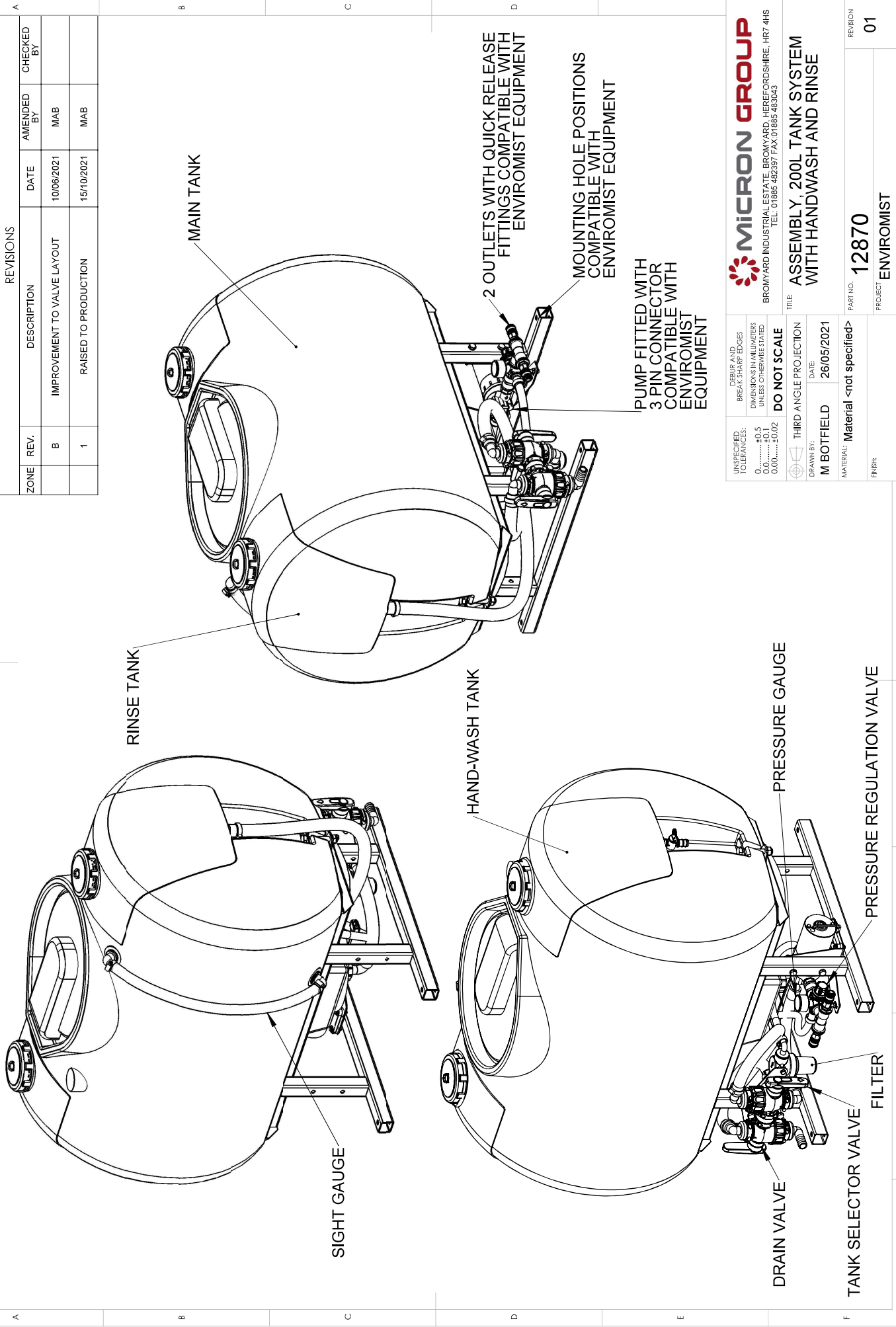
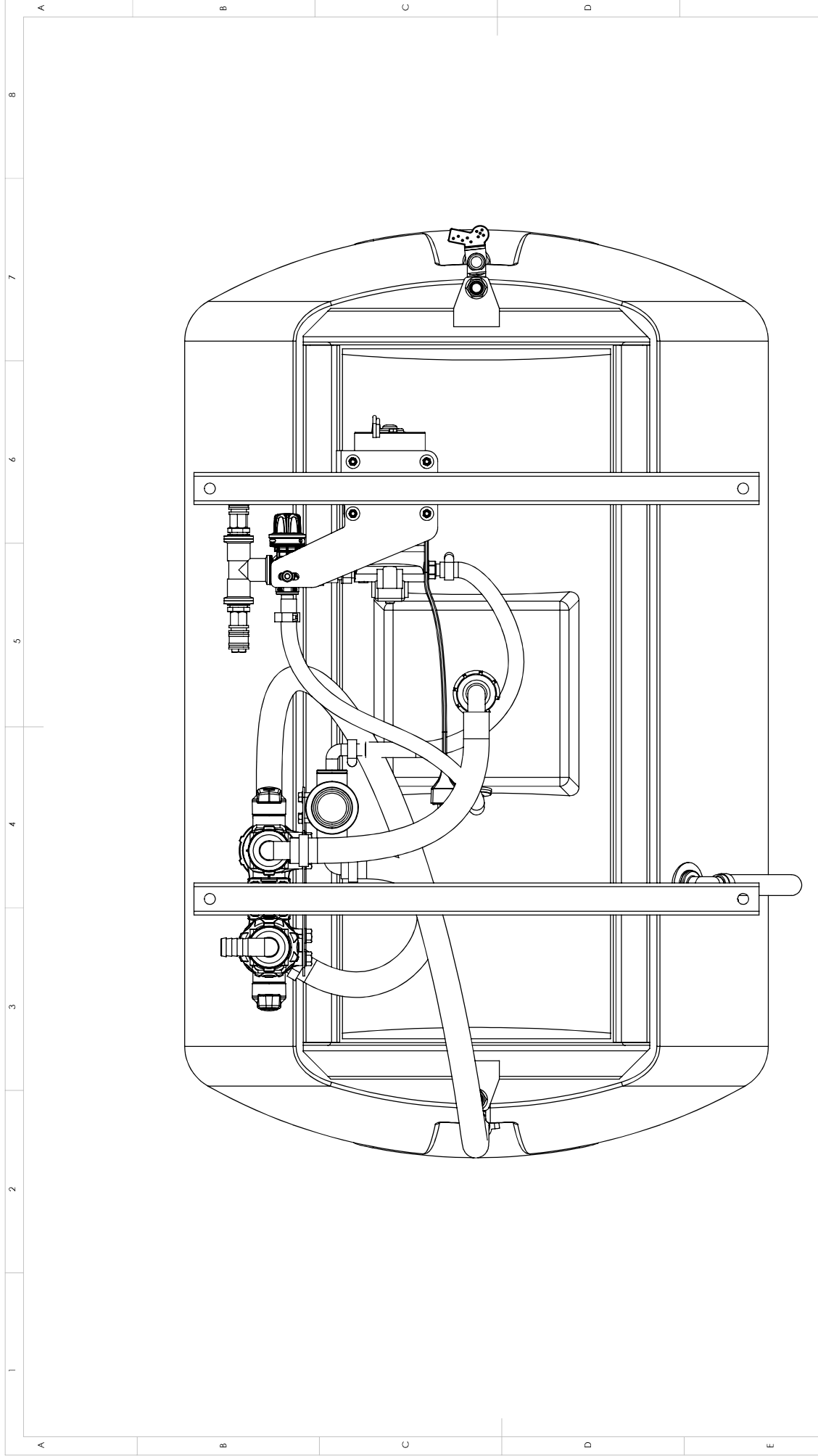


REVISIONS			
ZONE	REV.	DESCRIPTION	CHECKED BY
	B	IMPROVEMENT TO VALVE LAYOUT	MAB
	1	RAISED TO PRODUCTION	MAB

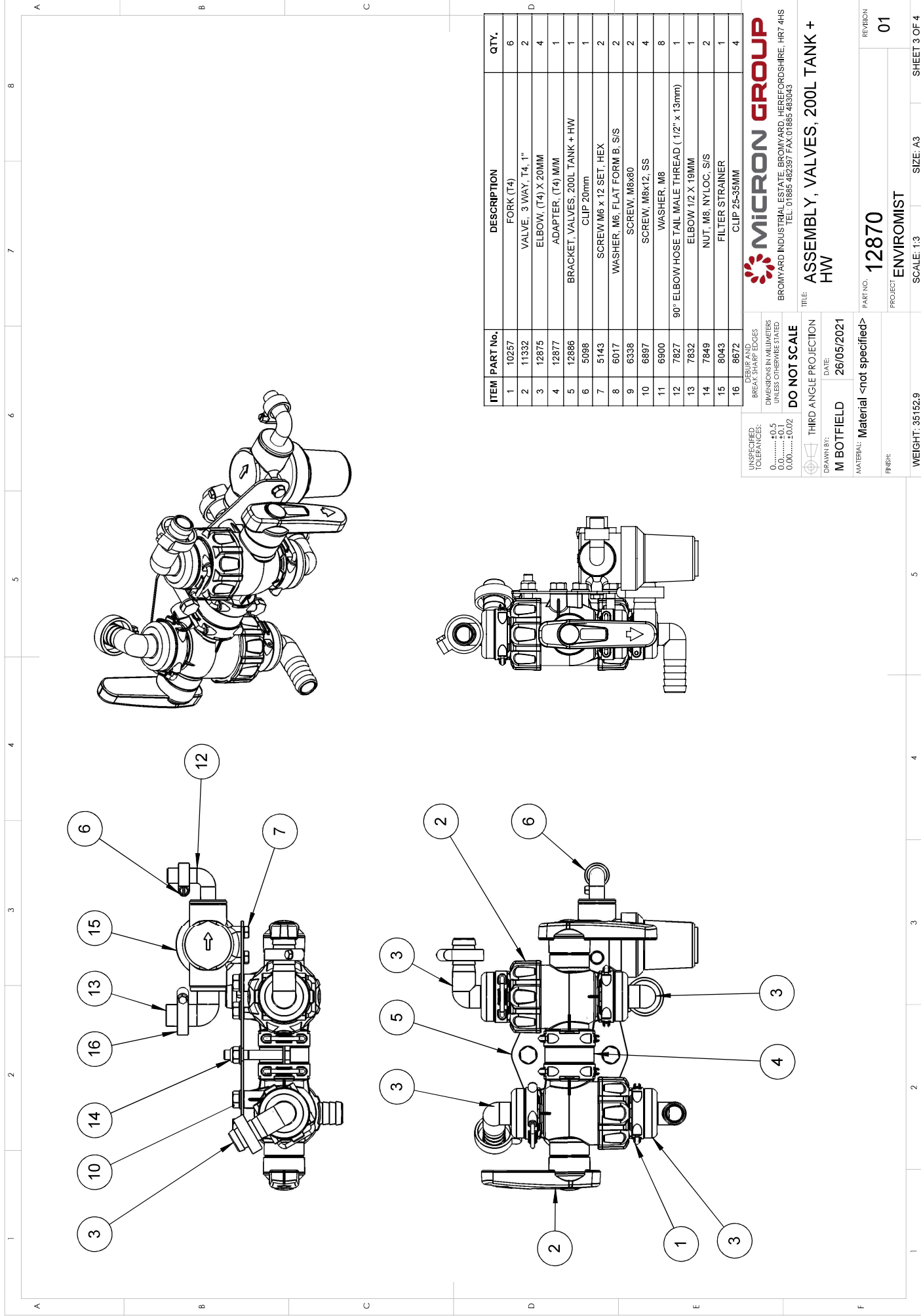


UNSPECIFIED TOLERANCES: 0.....±0.5 0.00.....±0.02	DEBUR AND BREAK SHARP EDGES DIMENSIONS IN MILLIMETERS UNLESS OTHERWISE STATED <b>DO NOT SCALE</b>	<b>MICRON GROUP</b> BROMYARD INDUSTRIAL ESTATE, BROMYARD, HEREFORDSHIRE, HR7 4HS TEL: 01885 482397 FAX: 01885 483043
THIRD ANGLE PROJECTION	DATE: 26/05/2021	TITLE: ASSEMBLY, 200L TANK SYSTEM WITH HANDWASH AND RINSE
DRAWN BY: M BOTFIELD	MATERIAL: Material <not specified>	PART NO. 12870
FINISH:	WEIGHT: 35152.935152.9	PROJECT: ENVIROMIST
		REVISION: 01
		SCALE: 1:8
		SIZE: A3
		SHEET 1 OF 4



UNSPECIFIED TOLERANCES: 0.0000.....±0.5 0.0000.....±0.02	DEBUR AND BREAK SHARP EDGES DIMENSIONS IN MILLIMETERS UNLESS OTHERWISE STATED <b>DO NOT SCALE</b>	MICRON GROUP BROMYARD INDUSTRIAL ESTATE, BROMYARD, HEREFORDSHIRE, HR7 4HS TEL: 01885 482397 FAX: 01885 483043	
THIRD ANGLE PROJECTION	TITLE: ASSEMBLY, 200L TANK SYSTEM WITH HANDWASH AND RINSE		REVISION
DRAWN BY: M BOTFIELD	DATE: 26/05/2021	PART NO. 12870	01
MATERIAL: Material <not specified>	FINISH:	PROJECT: ENVIROMIST	SCALE: 1:4
WEIGHT: 35152.935152.9	SIZE: A3	SHEET 2 OF 4	

1	2	3	4	5
A	B	C	D	E



ITEM	PART No.	DESCRIPTION	QTY.
1	10257	FORK (T4)	6
2	11332	VALVE, 3 WAY, T4, 1"	2
3	12875	ELBOW, (T4) X 20MM	4
4	12877	ADAPTER, (T4) M/M	1
5	12886	BRACKET, VALVES, 200L TANK + HW	1
6	5098	CLIP 20mm	1
7	5143	SCREW M6 x 12 SET. HEX	2
8	6017	WASHER, M6, FLAT FORM B. SIS	2
9	6338	SCREW, M8x80	2
10	6897	SCREW, M8x12, SS	4
11	6900	WASHER, M8	8
12	7827	90° ELBOW HOSE TAIL, MALE THREAD ( 1/2" x 13mm)	1
13	7832	ELBOW 1/2 X 19MM	1
14	7849	NUT, M8, NYLOC, SIS	2
15	8043	FILTER STRAINER	1
16	8672	CLIP 25-35MM	4

UNSPECIFIED TOLERANCES:  
 0.....±0.5  
 0.00.....±0.02

DO NOT SCALE

THIRD ANGLE PROJECTION

DERIVE AND BREAK SHARP EDGES DIMENSIONS IN MILLIMETERS UNLESS OTHERWISE STATED

**MICRON GROUP**  
 BROMYARD INDUSTRIAL ESTATE, BROMYARD, HEREFORDSHIRE, HR7 4HS  
 TEL: 01885 482397 FAX: 01885 483043

TITLE: **ASSEMBLY, VALVES, 200L TANK + HW**

DRAWN BY: **M BOTFIELD** DATE: **26/05/2021**

MATERIAL: **Material <not specified>**

FINISH:

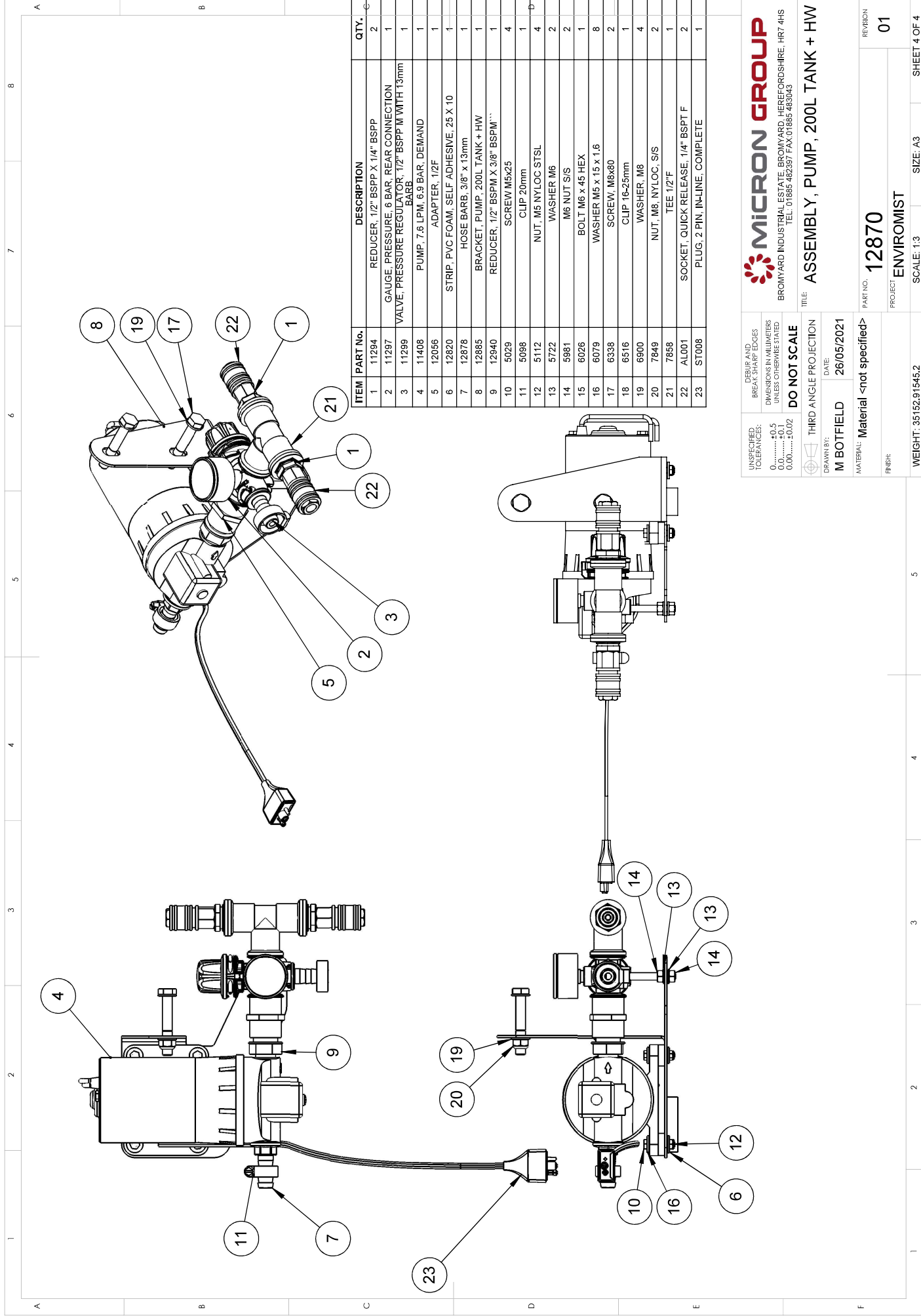
WEIGHT: 35152.9

SCALE: 1:3 SIZE: A3 SHEET 3 OF 4

REVISION: **01**

PART NO. **12870**

PROJECT **ENVIROMIST**



ITEM	PART No.	DESCRIPTION	QTY.
1	11294	REDUCER, 1/2" BSPP X 1/4" BSPP	2
2	11297	GAUGE, PRESSURE, 6 BAR, REAR CONNECTION	1
3	11299	VALVE, PRESSURE REGULATOR, 1/2" BSPP M WITH 13mm BARB	1
4	11408	PUMP, 7.6 LPM, 6.9 BAR, DEMAND	1
5	12056	ADAPTER, 1/2F	1
6	12820	STRIP, PVC FOAM, SELF ADHESIVE, 25 X 10	1
7	12878	HOSE BARB, 3/8" x 13mm	1
8	12885	BRACKET, PUMP, 200L TANK + HW	1
9	12940	REDUCER, 1/2" BSPM X 3/8" BSPM...	1
10	5029	SCREW M5x25	4
11	5098	CLIP 20mm	1
12	5112	NUT, M5 NYLOC STSL	4
13	5722	WASHER M6	2
14	5981	M6 NUT S/S	2
15	6026	BOLT M6 x 45 HEX	1
16	6079	WASHER M5 x 15 x 1.6	8
17	6338	SCREW, M6x80	2
18	6516	CLIP 16-25mm	1
19	6900	WASHER, M8	4
20	7849	NUT, M8, NYLOC, S/S	2
21	7858	TEE 1/2" F	1
22	AL001	SOCKET, QUICK RELEASE, 1/4" BSPT F	2
23	ST008	PLUG, 2 PIN, IN-LINE, COMPLETE	1

**MICRON GROUP**  
 BROMYARD INDUSTRIAL ESTATE, BROMYARD, HEREFORDSHIRE, HR7 4HS  
 TEL: 01885 482397 FAX: 01885 483043

UNSPECIFIED TOLERANCES:  
 0.....±0.5  
 0.00.....±0.02

DEBRIS AND BREAK SHARP EDGES UNLESS OTHERWISE STATED

**DO NOT SCALE**

THIRD ANGLE PROJECTION

DRAWN BY: **M BOTFIELD** DATE: **26/05/2021**

TITLE: **ASSEMBLY, PUMP, 200L TANK + HW**

MATERIAL: **Material <not specified>**

FINISH:

WEIGHT: 35152.91545.2

SCALE: 1:3 SIZE: A3 SHEET 4 OF 4

REVISION: **01**

PART NO. **12870**

PROJECT: **ENVIROMIST**